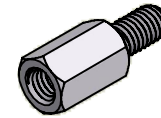
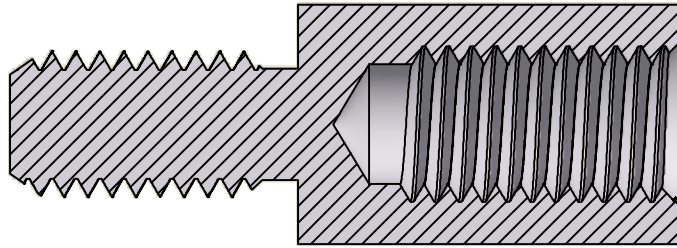
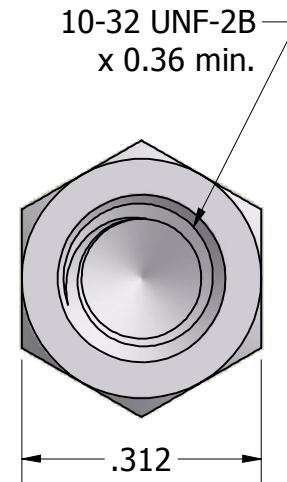
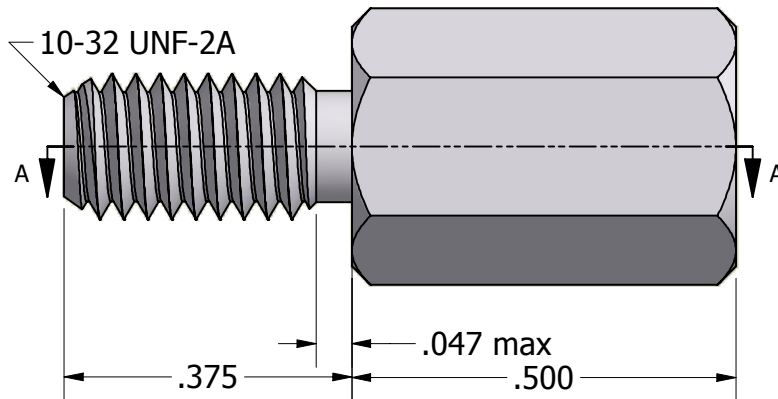


SECTION A-A



ISO SCALE 1 : 1



Tolerances Unless Otherwise Specified:

.xx Decimal: ± .02
.xxx Decimal: ± .005
Fraction: ± 1/64
Angle: ± 2°

LYN-TRON, INC.

Part Number:

AA6995-0.500

Description:

5/16 Hex Male-Female Standoff

Drawn By:

KENANG 06/24/2011

Gauge:

Material:

Aluminum (RoHS)

Scale:

4 : 1