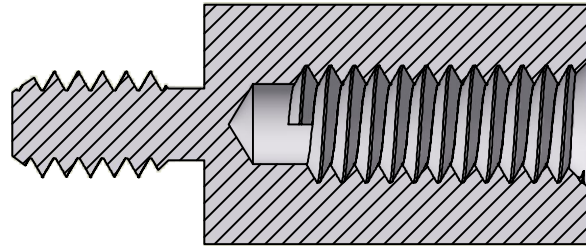
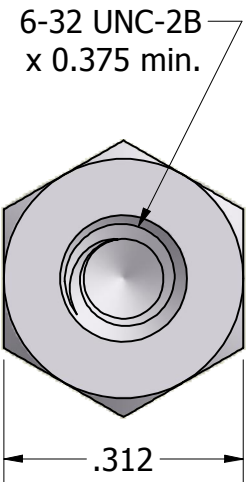
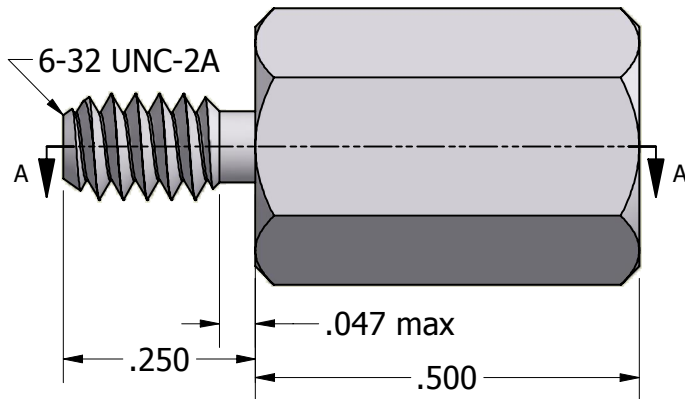


SECTION A-A



ISO SCALE 1 : 1



Tolerances Unless Otherwise Specified:

.xx Decimal: $\pm .02$
 .xxx Decimal: $\pm .005$
 Fraction: $\pm 1/64$
 Angle: $\pm 2^\circ$

LYN-TRON, INC.

Part Number:

AA6993-0.500

Description:

5/16 Hex Male-Female Standoff

Drawn By:

KENANG 06/24/2011

Gauge:

Material:

Aluminum (RoHS)

Scale:

4 : 1