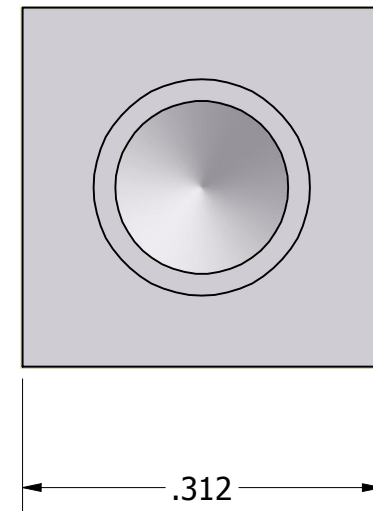
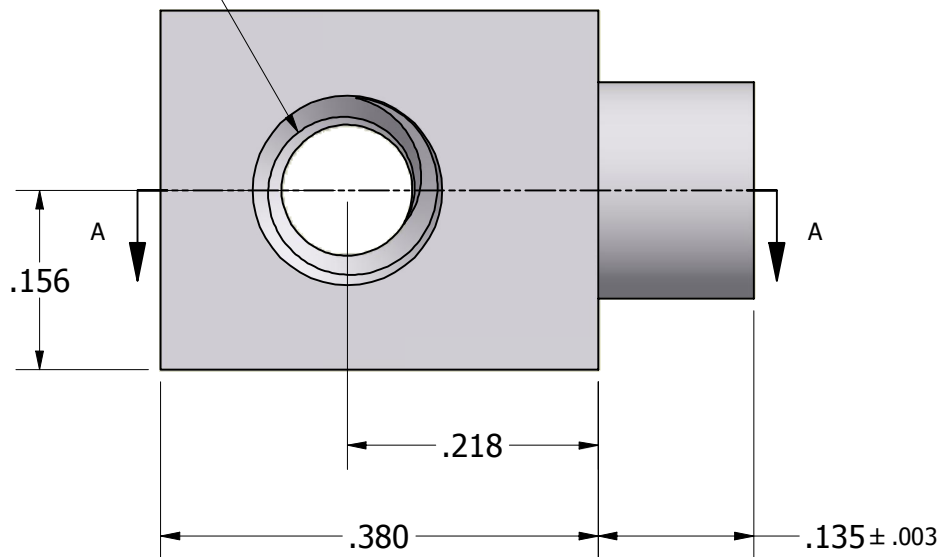


ISO SCALE 3 : 1

6-32 UNC-2B Thru



Tolerances Unless Otherwise Specified:

.xx Decimal: ± .02
.xxx Decimal: ± .005
Fraction: ± 1/64
Angle: ± 2°

LYN-TRON, INC.

Part Number:

AA6990C

Description:

Chassis Fastener

Drawn By:

OTISL

05/22/2012

Gauge:

Material:

Aluminum (RoHS)

Scale:

6 : 1