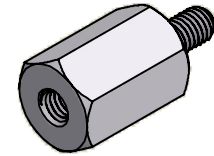
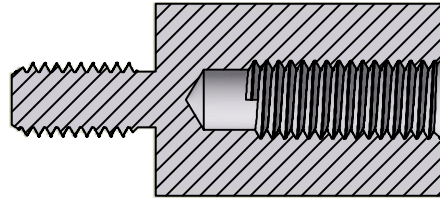
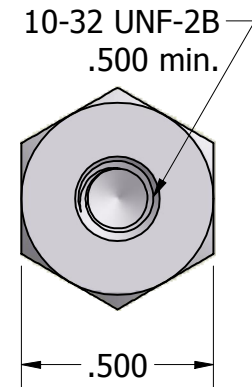
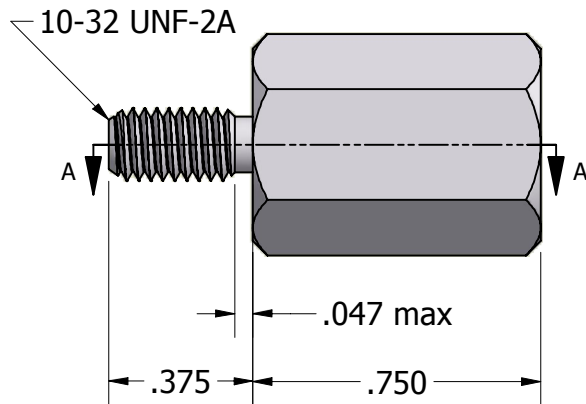


SECTION A-A



ISO SCALE 1 : 1



Tolerances Unless Otherwise Specified:		LYN-TRON, INC.	
.xx Decimal: ± .02			
.xxx Decimal: ± .005		Part Number:	
Fraction: ± 1/64		AA6987-0.750	
Angle: ± 2°		Description:	
		1/2 Hex Male-Female Standoff	
Drawn By:	Gauge:	Material:	Scale:
RICKZ	12/09/2011	Aluminum (RoHS)	2 : 1