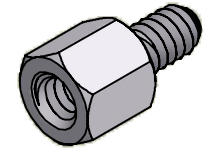
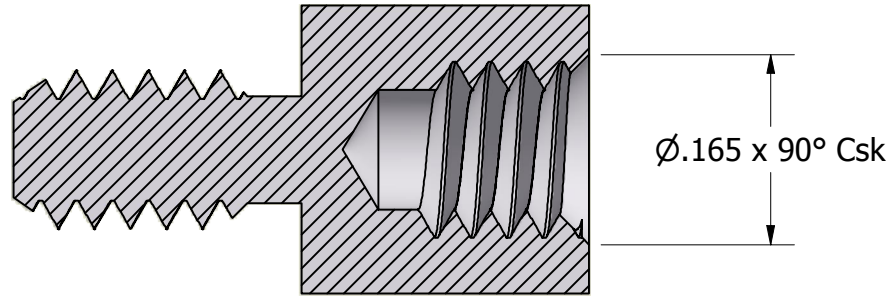
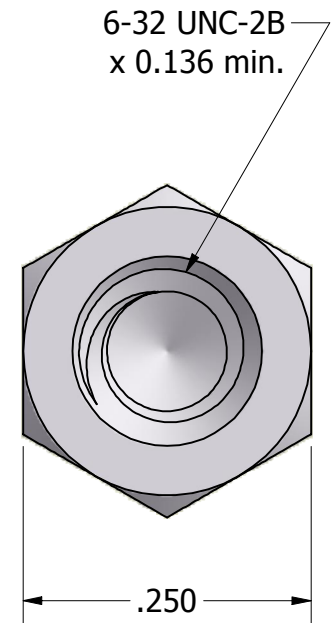
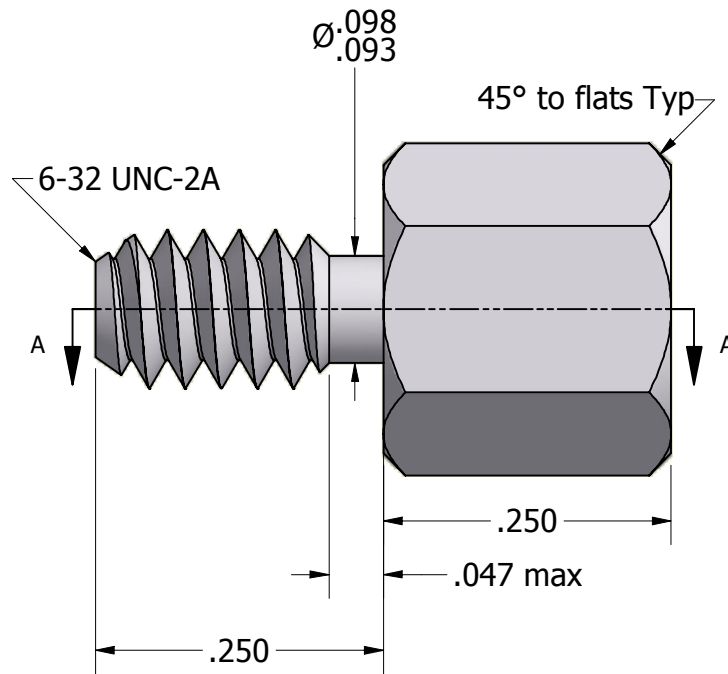


SECTION A-A



ISO SCALE 2 : 1



Tolerances Unless Otherwise Specified:

.xx Decimal: $\pm .02$
.xxx Decimal: $\pm .005$
Fraction: $\pm 1/64$
Angle: $\pm 2^\circ$

LYN-TRON, INC.

Part Number:

AA6981-0.250

Description:

1/4 Hex Male-Female Standoff

Drawn By:

RICKZ

11/08/2011

Gauge:

Material:

Aluminum (RoHS)

Scale:

6 : 1