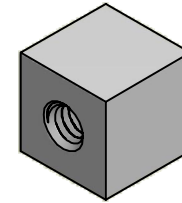
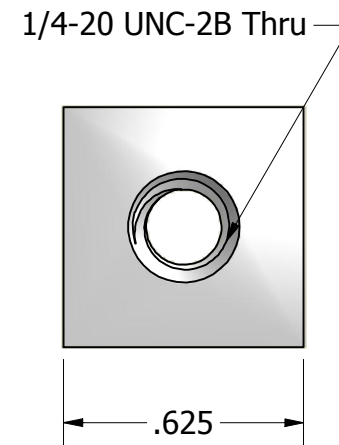
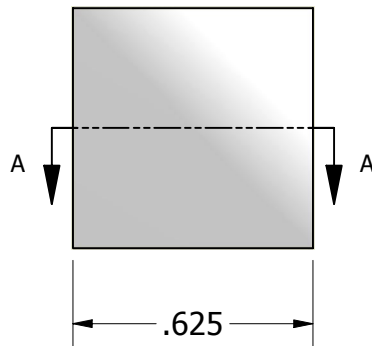


SECTION A-A



ISO SCALE 1 : 1



Tolerances Unless Otherwise Specified:			
.xx Decimal: ± .02 .xxx Decimal: ± .005 Fraction: ± 1/64 Angle: ± 2°			
Part Number: AA6966-2520-0.625		Description: 5/8 Square Standoff	
Drawn By: JEFFN	Date: 06/29/2010	Gauge:	Material: Aluminum (RoHS)
		Scale: 2 : 1	