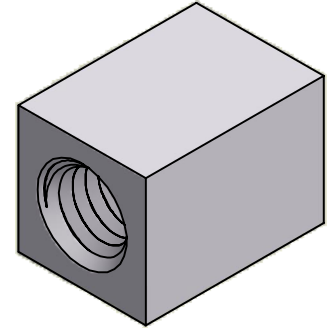
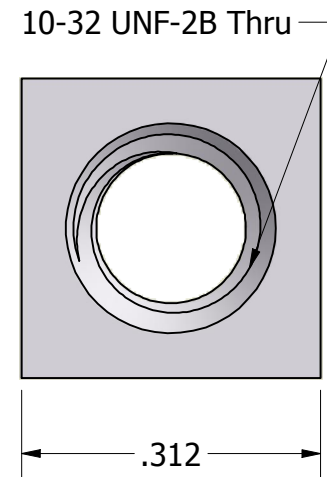
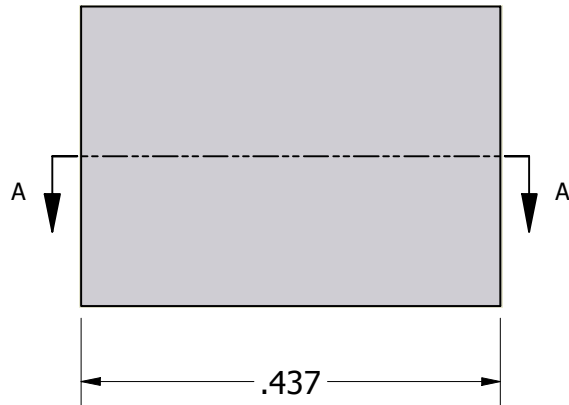


SECTION A-A



ISO SCALE 3 : 1



Tolerances Unless Otherwise Specified:			
.xx Decimal: $\pm .02$			
.xxx Decimal: $\pm .005$			
Fraction: $\pm 1/64$			
Angle: $\pm 2^\circ$			
		LYN-TRON, INC.	
		Part Number: AA6962-1032-0.437	
Description: 5/16 Square Standoff			
Drawn By: COURTNEYS09/09/2011	Gauge:	Material: Aluminum (RoHS)	Scale: 5 : 1