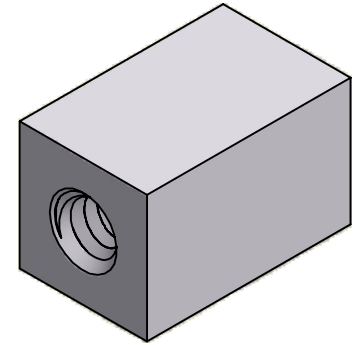
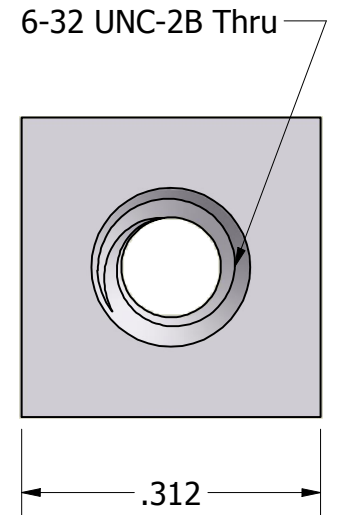
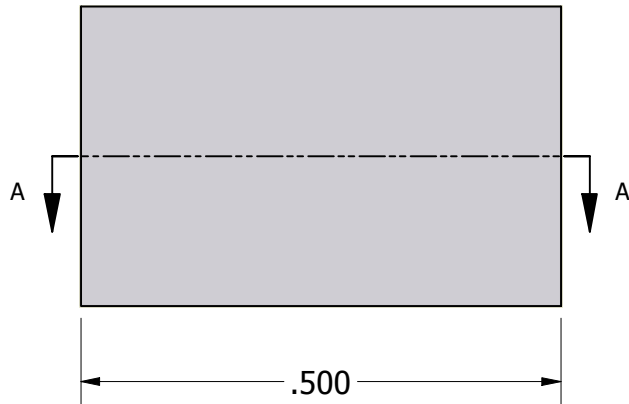


SECTION A-A



ISO SCALE 3 : 1



Tolerances Unless Otherwise Specified:

**.xx Decimal:**  $\pm .02$   
**.xxx Decimal:**  $\pm .005$   
**Fraction:**  $\pm 1/64$   
**Angle:**  $\pm 2^\circ$

**LYN-TRON, INC.**

Part Number:  
**AA6962-0632-0.500**

Description:  
**5/16 Square Standoff**

Drawn By:  
**COURTNEYS09/09/2011**

Gauge:

Material:  
**Aluminum (RoHS)**

Scale:  
**5 : 1**