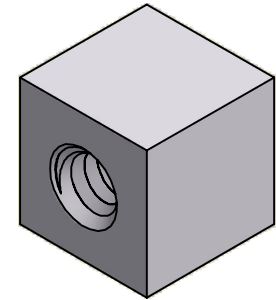
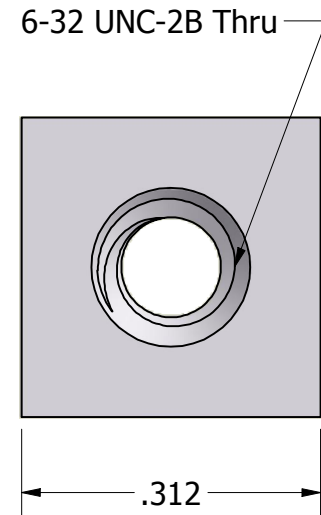
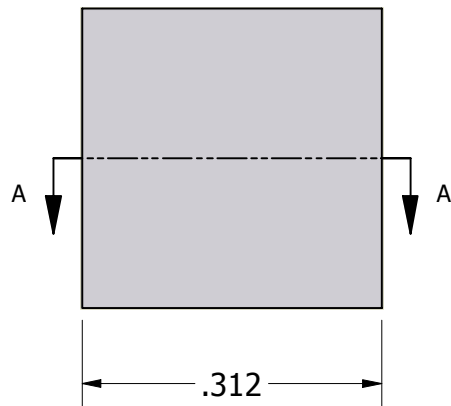


SECTION A-A



ISO SCALE 3 : 1



Tolerances Unless Otherwise Specified:			
.xx Decimal: ± .02 .xxx Decimal: ± .005 Fraction: ± 1/64 Angle: ± 2°			
Part Number:		AA6962-0632-0.312	
Description:		5/16 Square Standoff	
Drawn By:	Gauge:	Material:	Scale:
COURTNEYS09/09/2011		Aluminum (RoHS)	5 : 1