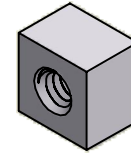
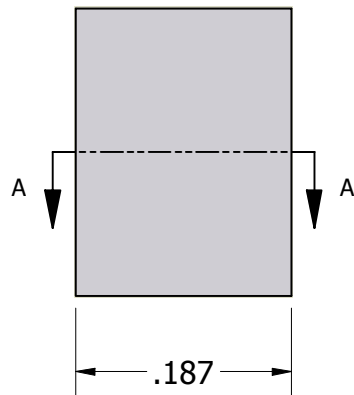


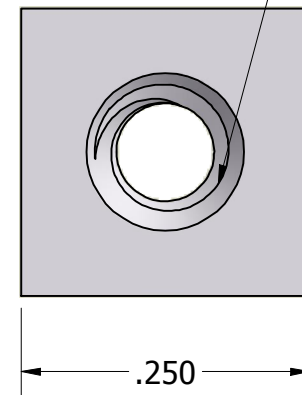
SECTION A-A



ISO SCALE 2 : 1



4-40 UNC-2B Thru



Tolerances Unless Otherwise Specified:

.xx Decimal: ± .02
.xxx Decimal: ± .005
Fraction: ± 1/64
Angle: ± 2°

LYN-TRON, INC.

Part Number:

AA6961-0440-0.187

Description:

1/4 Square Standoff

Drawn By:

RICKZ 09/07/2011

Gauge:

Material:

Aluminum (RoHS)

Scale:

6 : 1