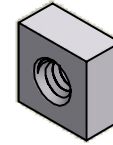
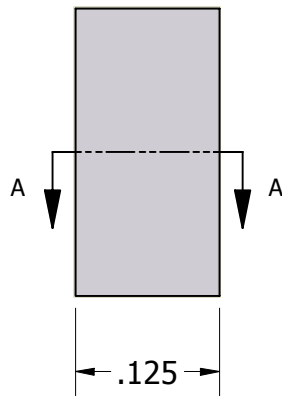


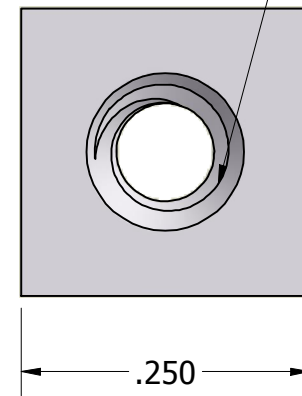
SECTION A-A



ISO SCALE 2 : 1



4-40 UNC-2B Thru



Tolerances Unless Otherwise Specified:

**.xx Decimal:** ± .02  
**.xxx Decimal:** ± .005  
**Fraction:** ± 1/64  
**Angle:** ± 2°

**LYN-TRON, INC.**

Part Number:  
**AA6961-0440-0.125**

Description:  
**1/4 Square Standoff**

Drawn By:  
**RICKZ 09/07/2011**

Gauge:

Material:  
**Aluminum (RoHS)**

Scale:  
**6 : 1**