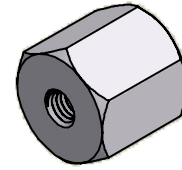
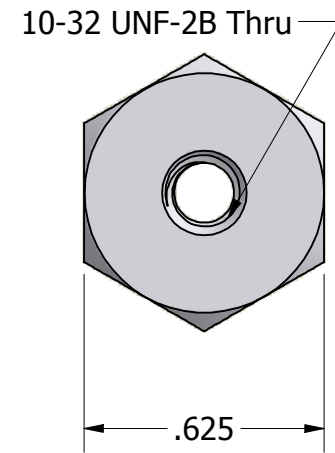
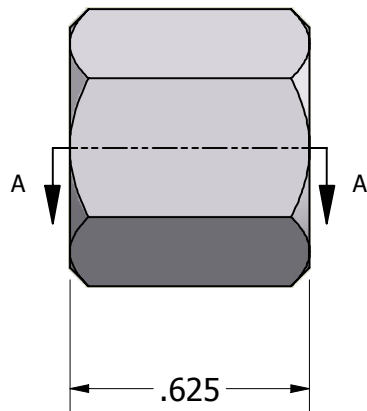


SECTION A-A



ISO SCALE 1 : 1



Tolerances Unless Otherwise Specified:			
.xx Decimal: ± .02 .xxx Decimal: ± .005 Fraction: ± 1/64 Angle: ± 2°			
		Part Number:	
		AA6956-1032-0.625	
		Description:	
		5/8 Hex Standoff	
Drawn By:	Gauge:	Material:	Scale:
JEFFN	06/26/2010	Aluminum (RoHS)	2 : 1