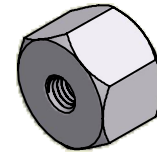
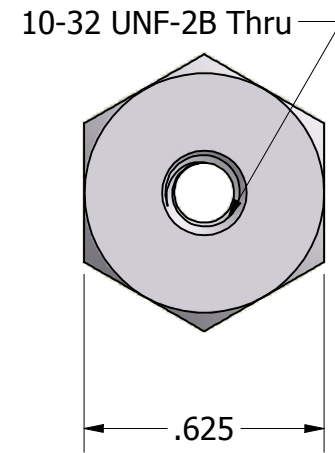
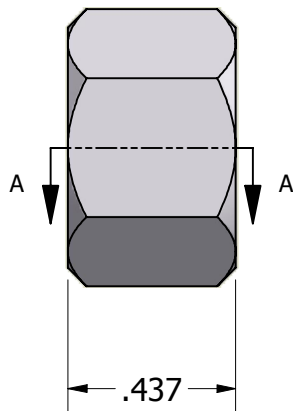


SECTION A-A



ISO SCALE 1 : 1



| | | | |
|---|--------|--------------------------|--------------|
| Tolerances Unless Otherwise Specified: | | | |
| .xx Decimal: ± .02 .xxx Decimal: ± .005 Fraction: ± 1/64 Angle: ± 2° | | | |
| Part Number: | | AA6956-1032-0.437 | |
| Description: | | 5/8 Hex Standoff | |
| Drawn By: | Gauge: | Material: | Scale: |
| JEFFN 06/26/2010 | | Aluminum (RoHS) | 2 : 1 |