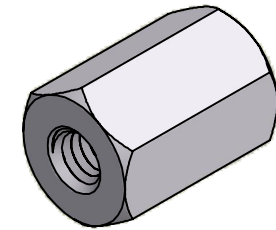
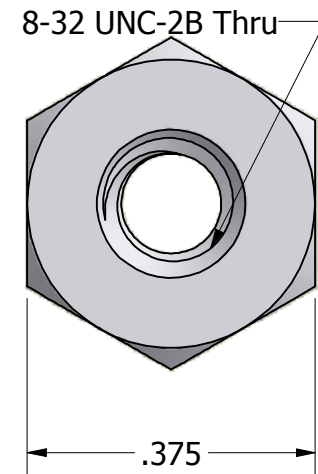
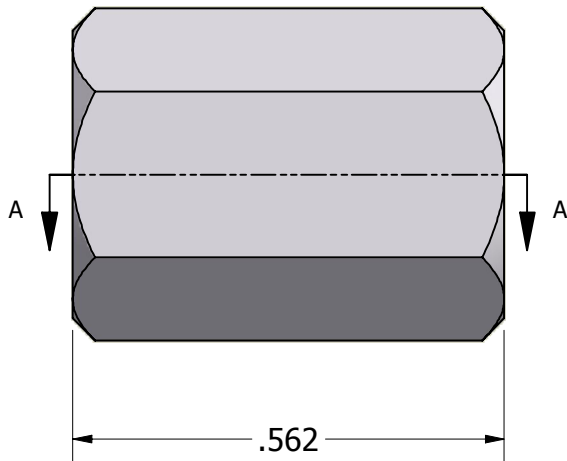


SECTION A-A



ISO SCALE 2 : 1



Tolerances Unless Otherwise Specified:

- .xx Decimal:** ± .02
- .xxx Decimal:** ± .005
- Fraction:** ± 1/64
- Angle:** ± 2°

**LYN-TRON, INC.**

Part Number:  
**AA6953-0832-0.562**

Description:  
**3/8 Hex Standoff**

Drawn By:  
**JEFFN 06/26/2010**

Gauge:

Material:  
**Aluminum (RoHS)**

Scale:  
**4 : 1**