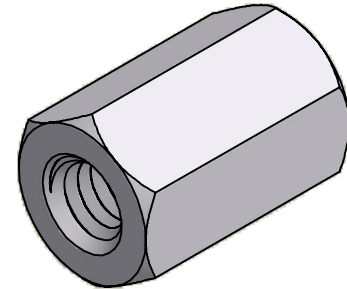
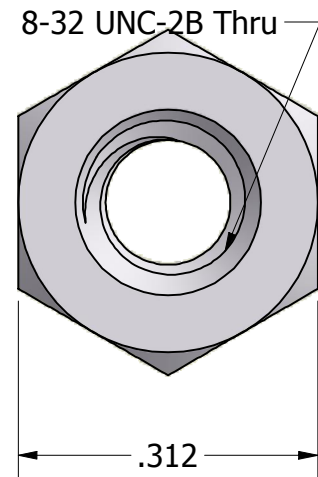
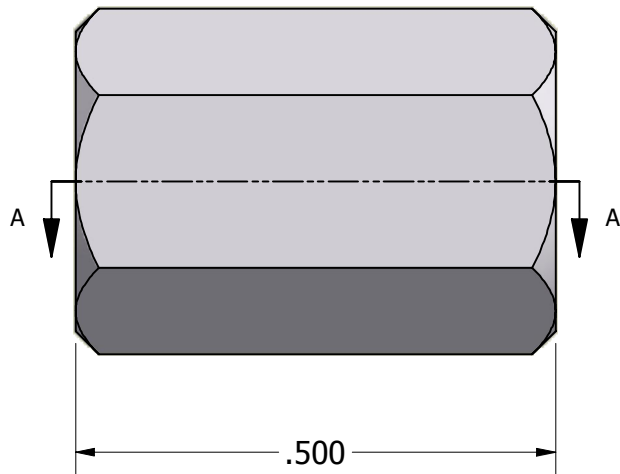


SECTION A-A



ISO SCALE 3 : 1



| | | | |
|--|-------------------|--------------------------|--------------|
| Tolerances Unless Otherwise Specified: | | | |
| .xx Decimal: | ± .02 | | |
| .xxx Decimal: | ± .005 | Part Number: | |
| Fraction: | ± 1/64 | AA6952-0832-0.500 | |
| Angle: | ± 2° | Description: | |
| | | 5/16 Hex Standoff | |
| Drawn By: | Gauge: | Material: | Scale: |
| JEFFN | 06/26/2010 | Aluminum (RoHS) | 5 : 1 |