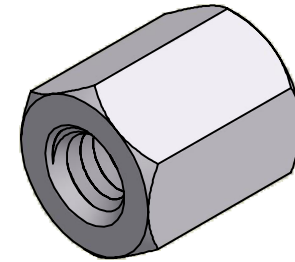
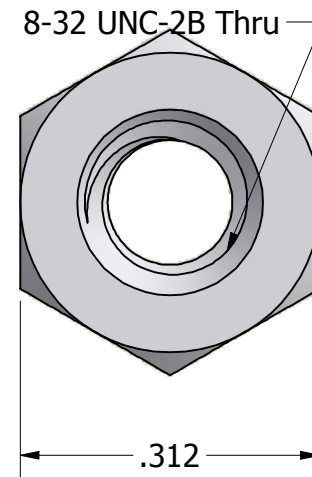
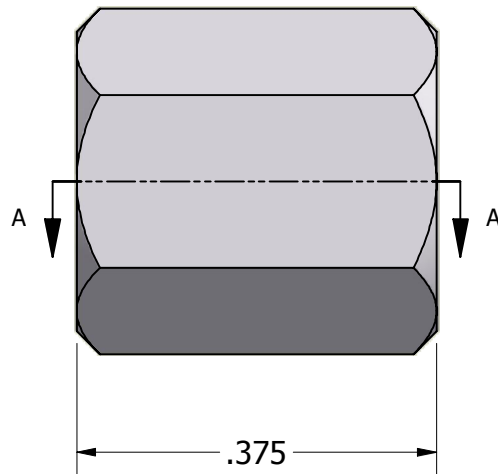


SECTION A-A



ISO SCALE 3 : 1



Tolerances Unless Otherwise Specified:			
<b>.xx Decimal:</b> ± .02 <b>.xxx Decimal:</b> ± .005 <b>Fraction:</b> ± 1/64 <b>Angle:</b> ± 2°			
Part Number:		<b>AA6952-0832-0.375</b>	
Description:		<b>5/16 Hex Standoff</b>	
Drawn By:	Gauge:	Material:	Scale:
<b>JEFFN</b> <b>06/26/2010</b>		<b>Aluminum (RoHS)</b>	<b>5 : 1</b>