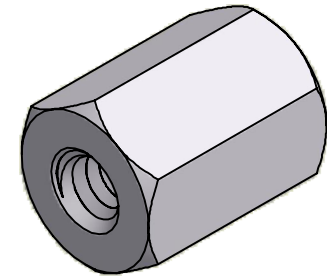
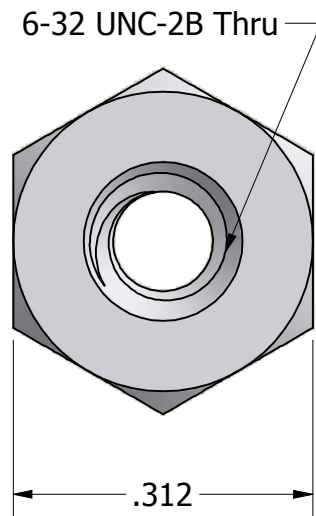
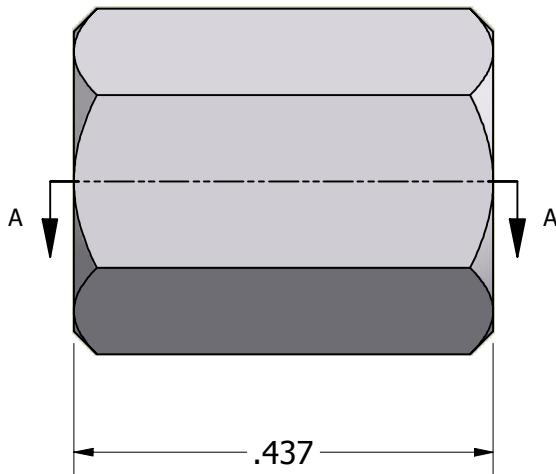


SECTION A-A



ISO SCALE 3 : 1



Tolerances Unless Otherwise Specified:			
.xx Decimal: ± .02 .xxx Decimal: ± .005 Fraction: ± 1/64 Angle: ± 2°			
Part Number: AA6952-0632-0.437		Description: 5/16 Hex Standoff	
Drawn By: JEFFN	Date: 06/26/2010	Gauge:	Material: Aluminum (RoHS)
		Scale: 5 : 1	