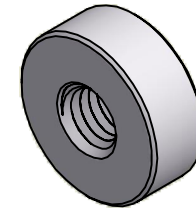
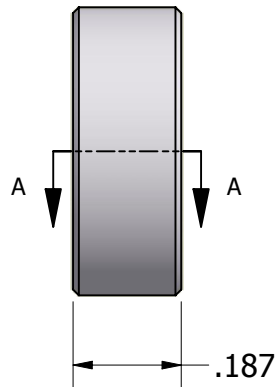


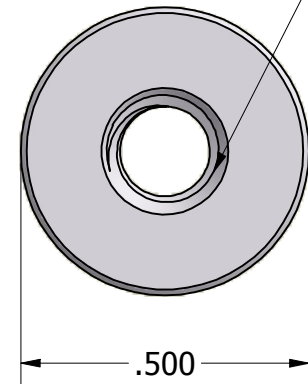
SECTION A-A



ISO SCALE 2 : 1



10-32 UNF-2B Thru



Tolerances Unless Otherwise Specified:			
.xx Decimal: ± .02 .xxx Decimal: ± .005 Fraction: ± 1/64 Angle: ± 2°			
Part Number:		AA6945-1032-0.187	
Description:		1/2 Round Standoff	
Drawn By:	Gauge:	Material:	Scale:
JEFFN	06/25/2010	Aluminum (RoHS)	3 : 1