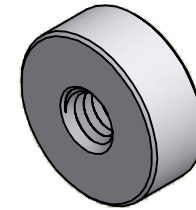
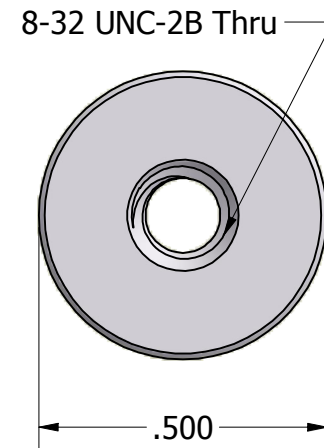
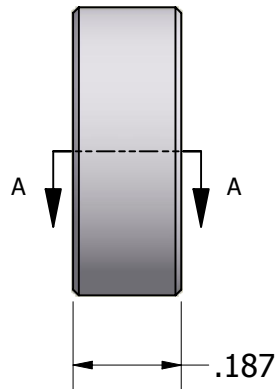


SECTION A-A



ISO SCALE 2 : 1



Tolerances Unless Otherwise Specified:			
.xx Decimal:	± .02		
.xxx Decimal:	± .005	Part Number:	
Fraction:	± 1/64	AA6945-0832-0.187	
Angle:	± 2°	Description:	
		1/2 Round Standoff	
Drawn By:	Gauge:	Material:	Scale:
JEFFN	06/25/2010	Aluminum (RoHS)	3 : 1