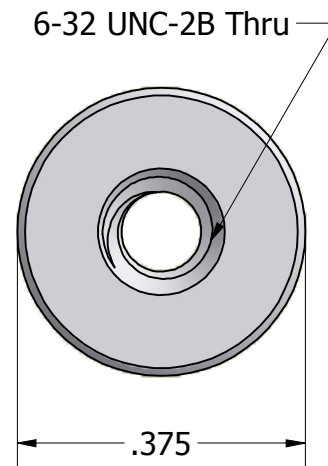
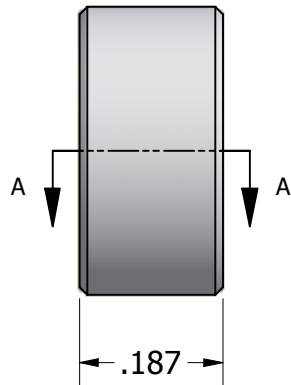


SECTION A-A



ISO SCALE 2 : 1



| | | | |
|--|-------------------|---------------------------|--------------|
| Tolerances Unless Otherwise Specified: | | LYN-TRON, INC. | |
| .xx Decimal: | $\pm .02$ | | |
| .xxx Decimal: | $\pm .005$ | Part Number: | |
| Fraction: | $\pm 1/64$ | AA6943-0632-0.187 | |
| Angle: | $\pm 2^\circ$ | Description: | |
| | | 3/8 Round Standoff | |
| Drawn By: | Gauge: | Material: | Scale: |
| JEFFN | 06/25/2010 | Aluminum (RoHS) | 4 : 1 |