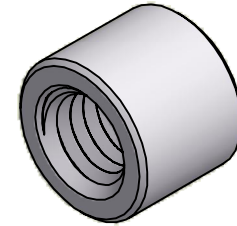
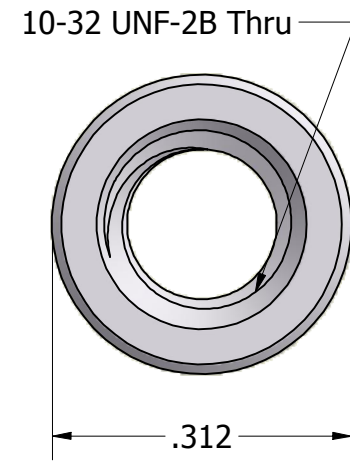
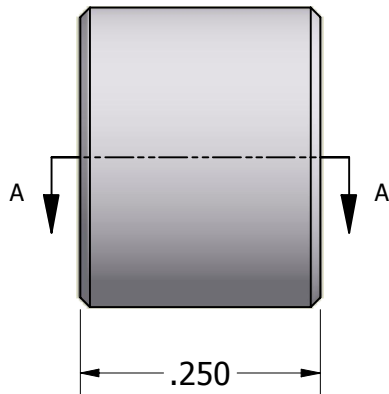


SECTION A-A



ISO SCALE 3 : 1



Tolerances Unless Otherwise Specified:

**.xx Decimal:**  $\pm .02$   
**.xxx Decimal:**  $\pm .005$   
**Fraction:**  $\pm 1/64$   
**Angle:**  $\pm 2^\circ$

**LYN-TRON, INC.**

Part Number:

**AA6942-1032-0.250**

Description:

**5/16 Round Standoff**

Drawn By:

**JEFFN**

**06/25/2010**

Gauge:

Material:

**Aluminum (RoHS)**

Scale:

**5 : 1**