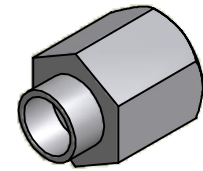
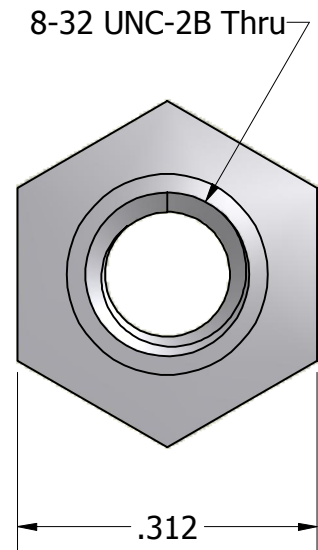
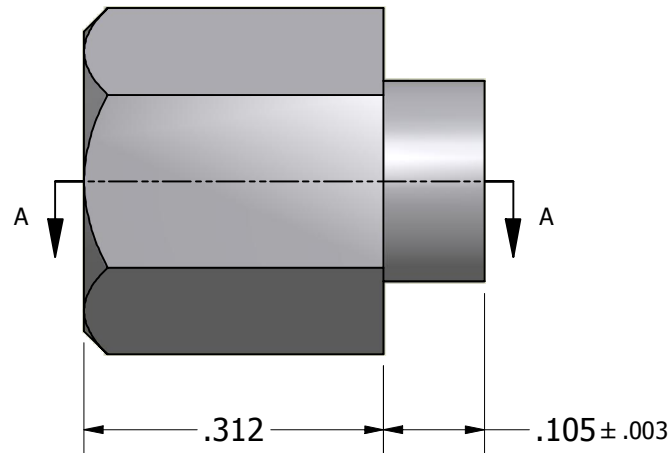


SECTION A-A



ISO SCALE 2 : 1



Tolerances Unless Otherwise Specified:

.xx Decimal: $\pm .02$
 .xxx Decimal: $\pm .005$
 Fraction: $\pm 1/64$
 Angle: $\pm 2^\circ$

LYN-TRON, INC.

Part Number:

AA6939B-0.312

Description:

5/16 Hex Swage Standoff

Drawn By:

JEFFN

06/24/2010

Gauge:

Material:

Aluminum (RoHS)

Scale:

5 : 1