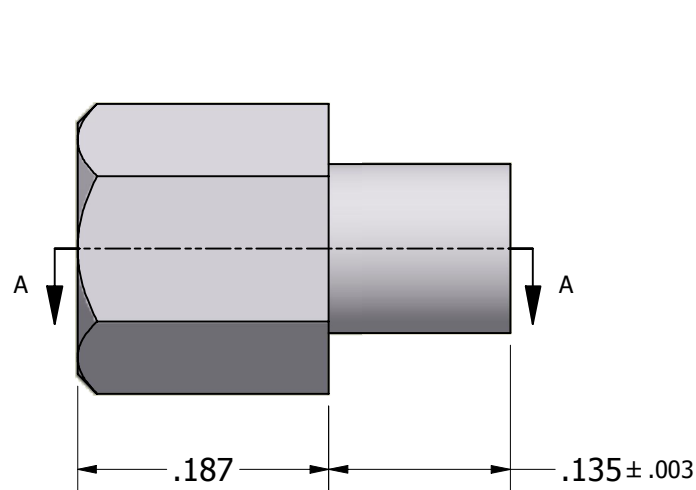
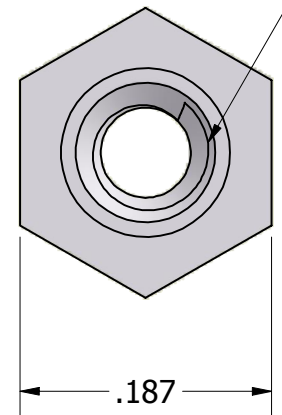


ISO SCALE 3 : 1



2-56 UNC-2B Thru



Tolerances Unless Otherwise Specified:

**.xx Decimal:**  $\pm .02$   
**.xxx Decimal:**  $\pm .005$   
**Fraction:**  $\pm 1/64$   
**Angle:**  $\pm 2^\circ$

**LYN-TRON, INC.**

Part Number:

**AA6933C-0.187**

Description:

**3/16 Hex Swage Standoff**

Drawn By:

**COURTNEYS06/22/2010**

Gauge:

Material:

**Aluminum (RoHS)**

Scale:

**7 : 1**