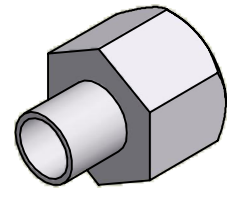
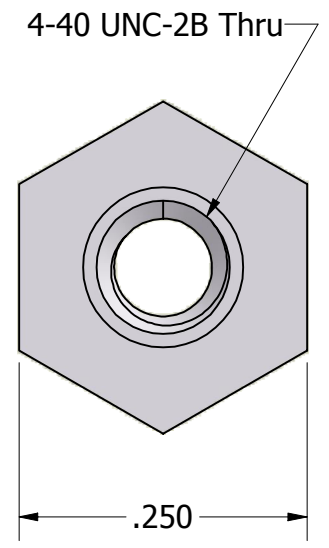
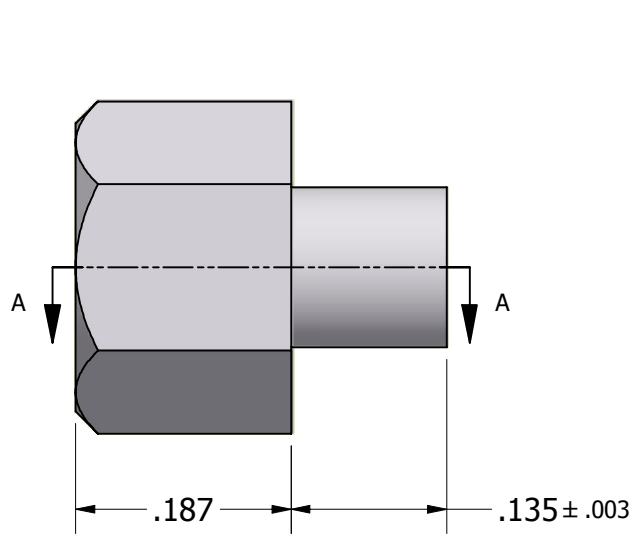


SECTION A-A



ISO SCALE 3 : 1



Tolerances Unless Otherwise Specified:			
.xx Decimal: $\pm .02$			
.xxx Decimal: $\pm .005$			
Fraction: $\pm 1/64$			
Angle: $\pm 2^\circ$			
		Part Number:	
		AA6926C-0.187	
		Description:	
		1/4 Hex Swage Standoff	
Drawn By:	Gauge:	Material:	Scale:
COURTNEYS09/14/2011		Aluminum (RoHS)	6 : 1