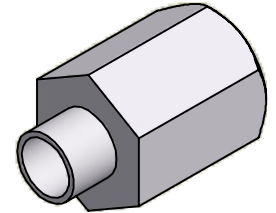
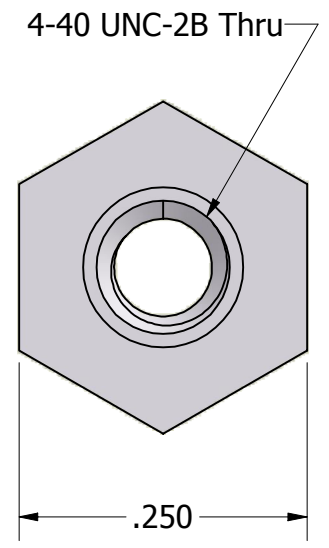
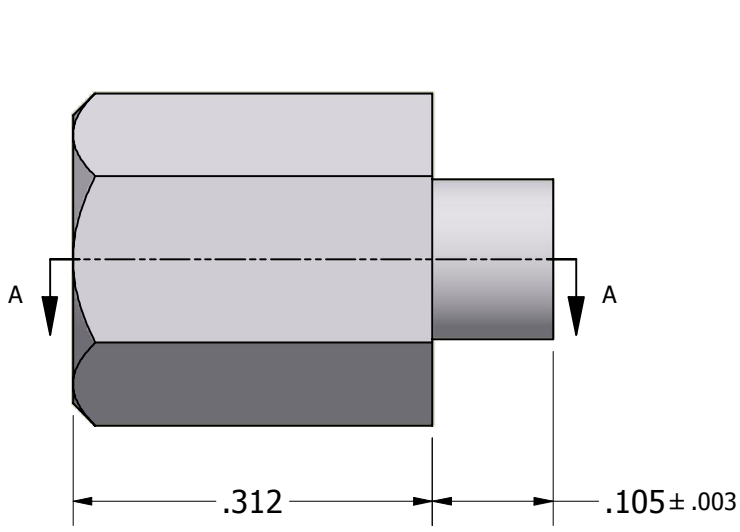


SECTION A-A



ISO SCALE 3 : 1



| | | | |
|--|--------|-------------------------------|--------------|
| Tolerances Unless Otherwise Specified: | | | |
| .xx Decimal: $\pm .02$ | | | |
| .xxx Decimal: $\pm .005$ | | | |
| Fraction: $\pm 1/64$ | | | |
| Angle: $\pm 2^\circ$ | | | |
| | | Part Number: | |
| | | AA6926B-0.312 | |
| | | Description: | |
| | | 1/4 Hex Swage Standoff | |
| Drawn By: | Gauge: | Material: | Scale: |
| COURTNEYS09/14/2011 | | Aluminum (RoHS) | 6 : 1 |