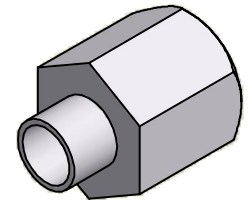
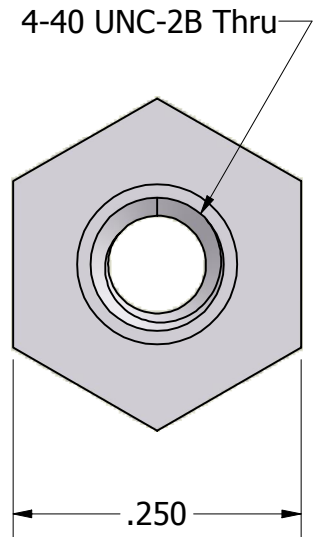
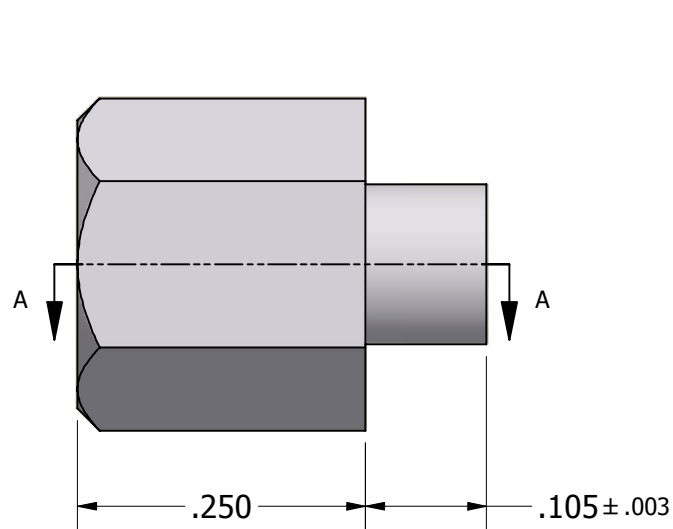


SECTION A-A



ISO SCALE 3 : 1



Tolerances Unless Otherwise Specified:

.xx Decimal: ± .02  
 .xxx Decimal: ± .005  
 Fraction: ± 1/64  
 Angle: ± 2°

**LYN-TRON, INC.**

Part Number:

**AA6926B-0.250**

Description:

**1/4 Hex Swage Standoff**

Drawn By:

**COURTNEYS09/14/2011**

Gauge:

Material:

**Aluminum (RoHS)**

Scale:

**6 : 1**