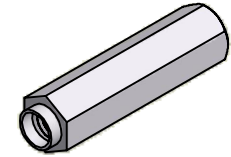
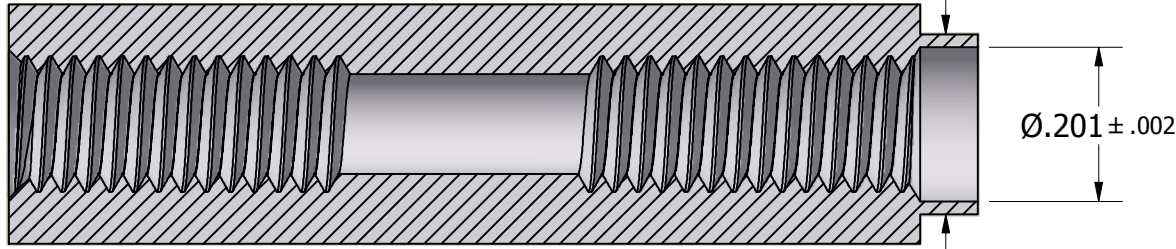
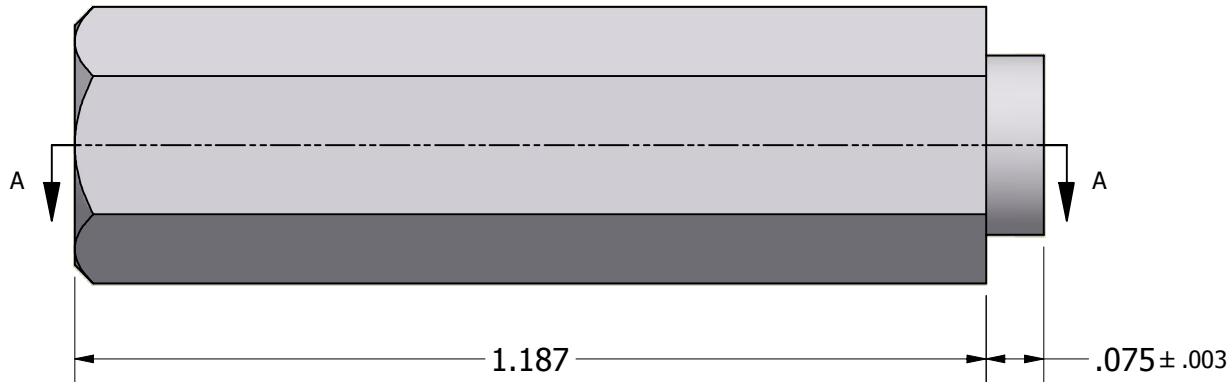


SECTION A-A

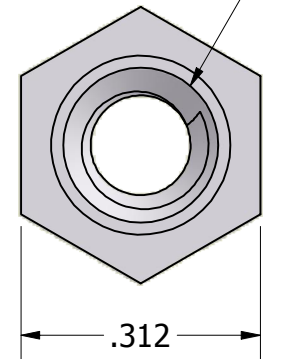
$\varnothing.234^{+.000}_{-.003}$



ISO SCALE 1 : 1



8-32 UNC-2B  
.437 min (2 Pls)



Tolerances Unless Otherwise Specified:

.xx Decimal:  $\pm .02$   
 .xxx Decimal:  $\pm .005$   
 Fraction:  $\pm 1/64$   
 Angle:  $\pm 2^\circ$

**LYN-TRON, INC.**

Part Number:

**AA6923A-1.187**

Description:

**5/16 Hex Swage Standoff**

Drawn By:

**COURTNEYS09/14/2011**

Gauge:

Material:

**Aluminum (RoHS)**

Scale:

**4 : 1**