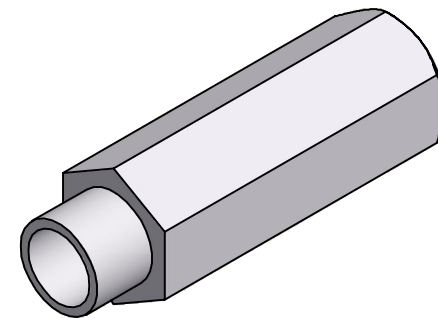
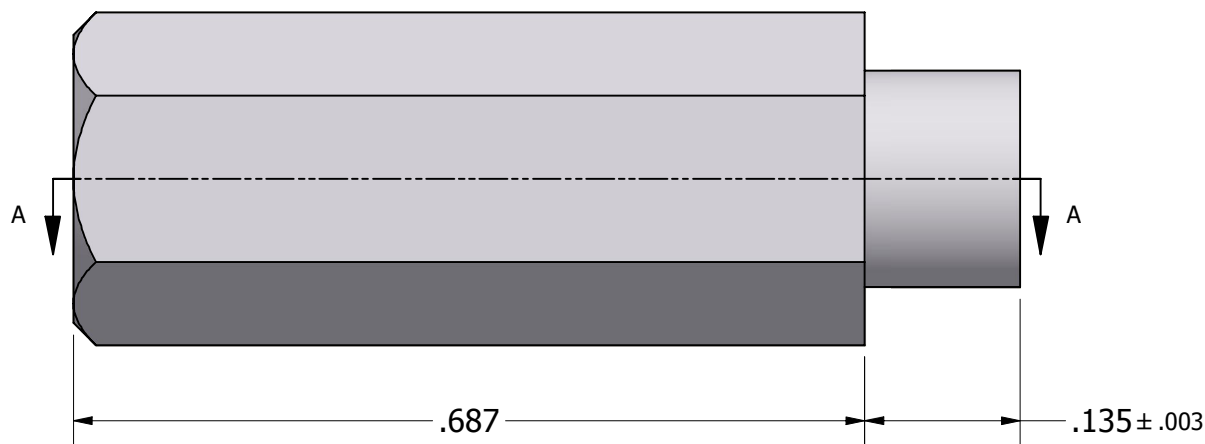


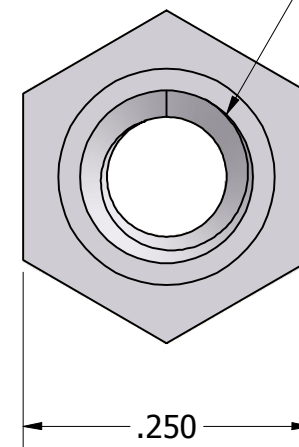
SECTION A-A



ISO SCALE 3 : 1



6-32 UNC-2B Thru



Tolerances Unless Otherwise Specified:

**.xx Decimal:** ± .02  
**.xxx Decimal:** ± .005  
**Fraction:** ± 1/64  
**Angle:** ± 2°

**LYN-TRON, INC.**

Part Number:

**AA6920C-0.687**

Description:

**1/4 Hex Swage Standoff**

Drawn By:

**CAMERONC 10/29/2013**

Gauge:

Material:

**Aluminum (RoHS)**

Scale:

**6 : 1**