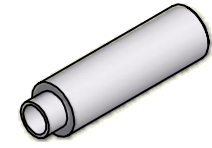
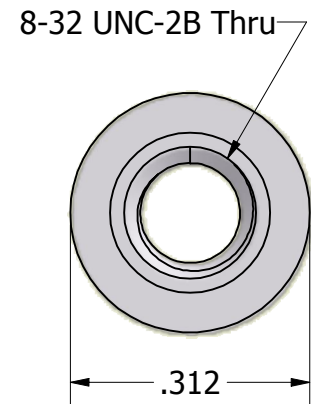
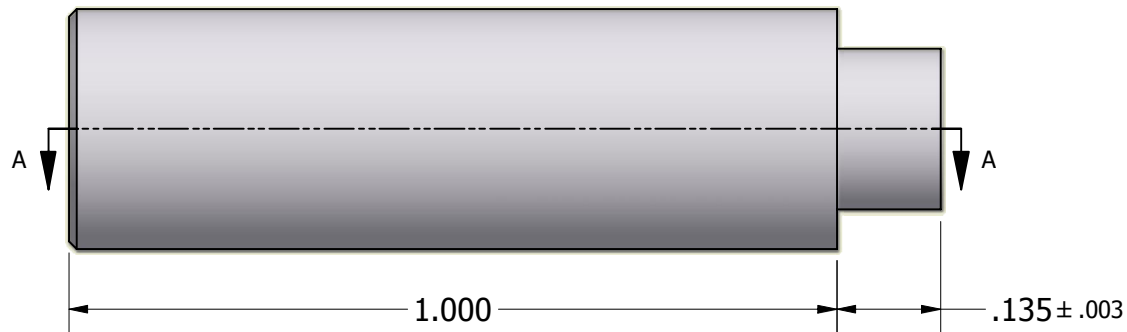


SECTION A-A



ISO SCALE 1 : 1



Tolerances Unless Otherwise Specified:

- .xx Decimal: ± .02
- .xxx Decimal: ± .005
- Fraction: ± 1/64
- Angle: ± 2°

LYN-TRON, INC.

Part Number:

AA6919C-1.000

Description:

5/16 Round Swage Standoff

Drawn By:

JEFFN

06/21/2010

Gauge:

Material:

Aluminum (RoHS)

Scale:

4 : 1