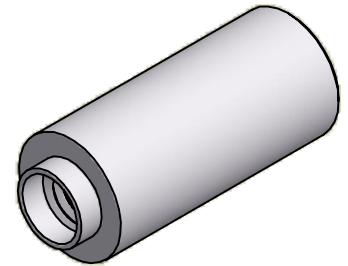
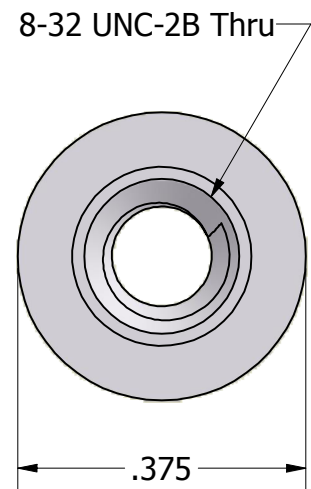
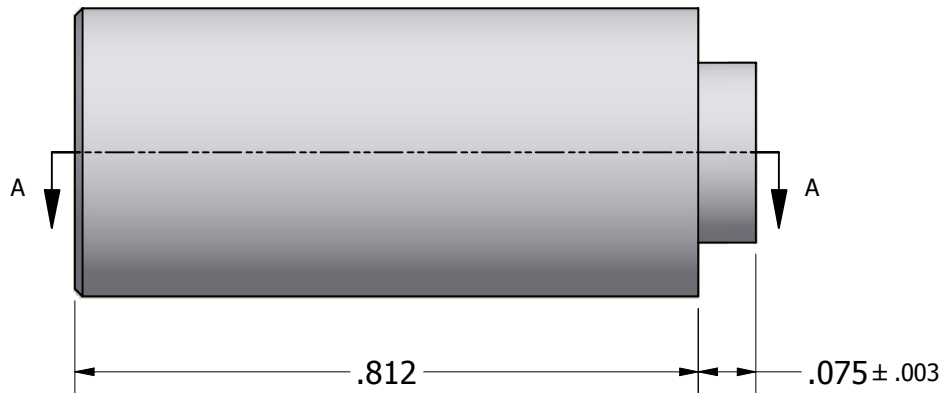


SECTION A-A



ISO SCALE 2 : 1



Tolerances Unless Otherwise Specified:

.xx Decimal: ± .02
 .xxx Decimal: ± .005
 Fraction: ± 1/64
 Angle: ± 2°

LYN-TRON, INC.

Part Number:

AA6914A-0.812

Description:

3/8 Round Swage Standoff

Drawn By:

RICKZ

10/07/2011

Gauge:

Material:

Aluminum (RoHS)

Scale:

4 : 1