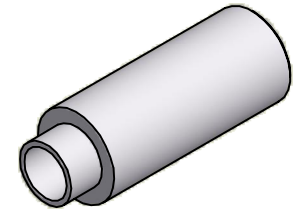
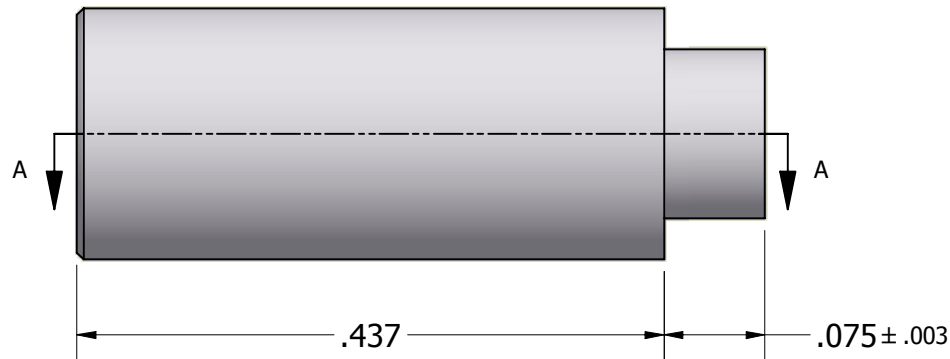


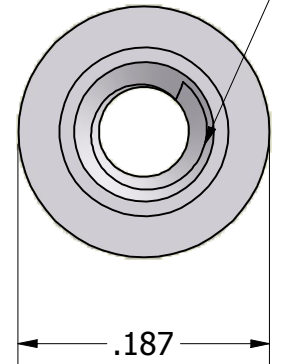
SECTION A-A



ISO SCALE 3 : 1



2-56 UNC-2B Thru



Tolerances Unless Otherwise Specified:

.xx Decimal: ± .02
 .xxx Decimal: ± .005
 Fraction: ± 1/64
 Angle: ± 2°

LYN-TRON, INC.

Part Number:

AA6913A-0.437

Description:

3/16 Round Swage Standoff

Drawn By:

COURTNEYS06/18/2010

Gauge:

Material:

Aluminum (RoHS)

Scale:

7 : 1