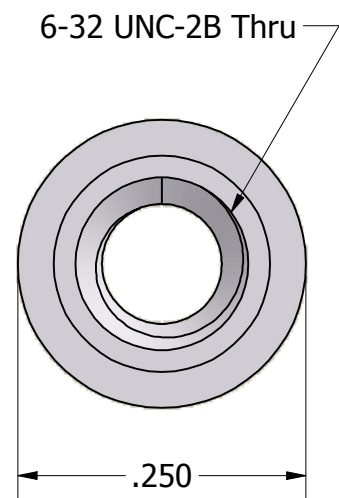
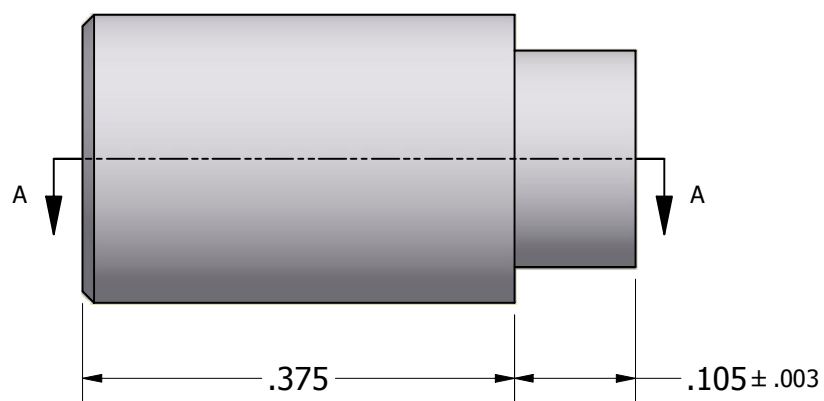


ISO SCALE 3 : 1



Tolerances Unless Otherwise Specified:

- .xx Decimal: ± .02
- .xxx Decimal: ± .005
- Fraction: ± 1/64
- Angle: ± 2°

**LYN-TRON, INC.**

Part Number:

**AA6910B-0.375**

Description:

**1/4 Round Swage Standoff**

Drawn By:

**RICKZ 09/23/2011**

Gauge:

Material:

**Aluminum (RoHS)**

Scale:

**6 : 1**