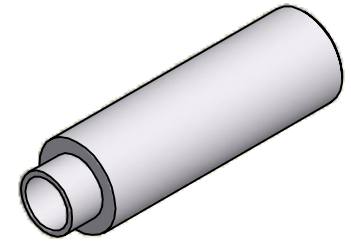
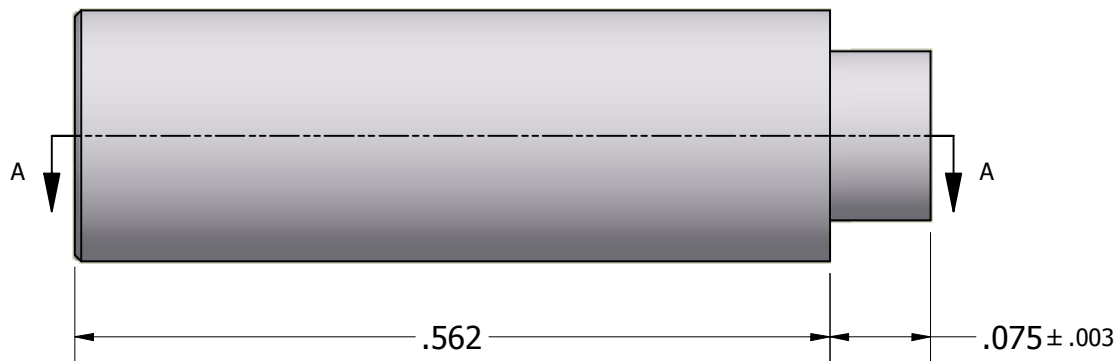


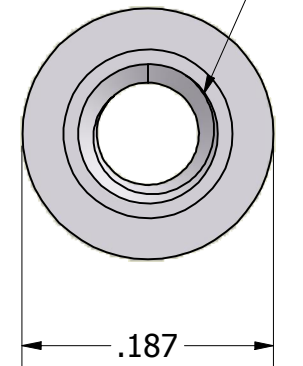
SECTION A-A



ISO SCALE 3 : 1



3-48 UNC-2B Thru



Tolerances Unless Otherwise Specified:

**.xx Decimal:** ± .02  
**.xxx Decimal:** ± .005  
**Fraction:** ± 1/64  
**Angle:** ± 2°

**LYN-TRON, INC.**

Part Number:

**AA6908A-0.562**

Description:

**3/16 Round Swage Standoff**

Drawn By:

**JEFFN**

**06/17/2010**

Gauge:

Material:

**Aluminum (RoHS)**

Scale:

**7 : 1**