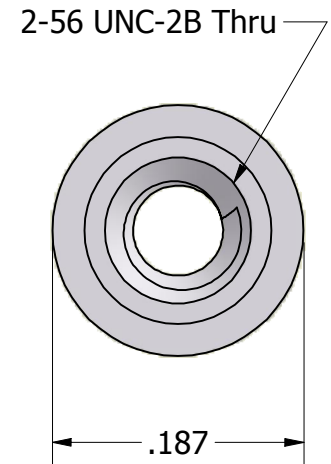
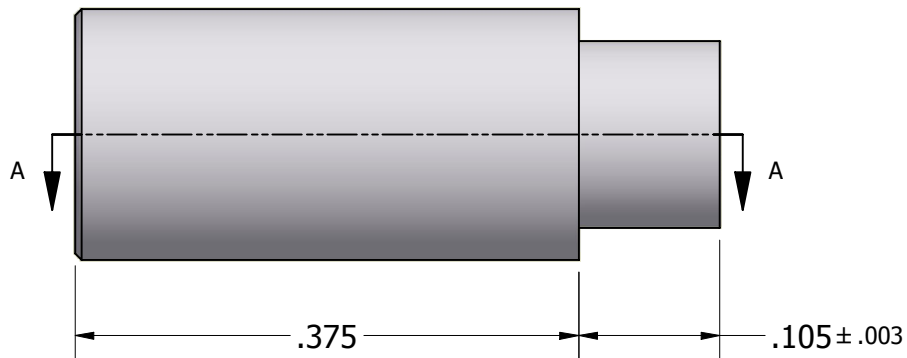


ISO SCALE 3 : 1



Tolerances Unless Otherwise Specified:

.xx Decimal: ± .02
.xxx Decimal: ± .005
Fraction: ± 1/64
Angle: ± 2°

LYN-TRON, INC.

Part Number:

AA6904B-0.375

Description:

3/16 Round Swage Standoff

Drawn By:

JEFFN

06/18/2010

Gauge:

Material:

Aluminum (RoHS)

Scale:

7 : 1