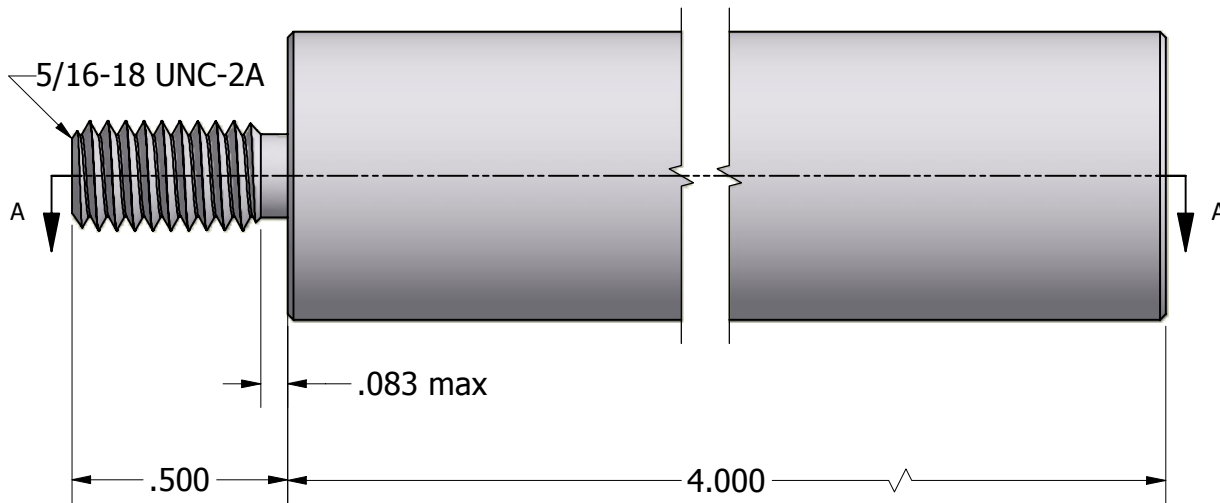
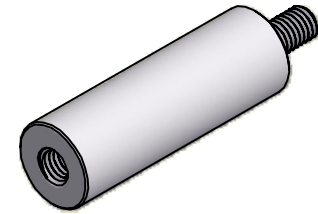
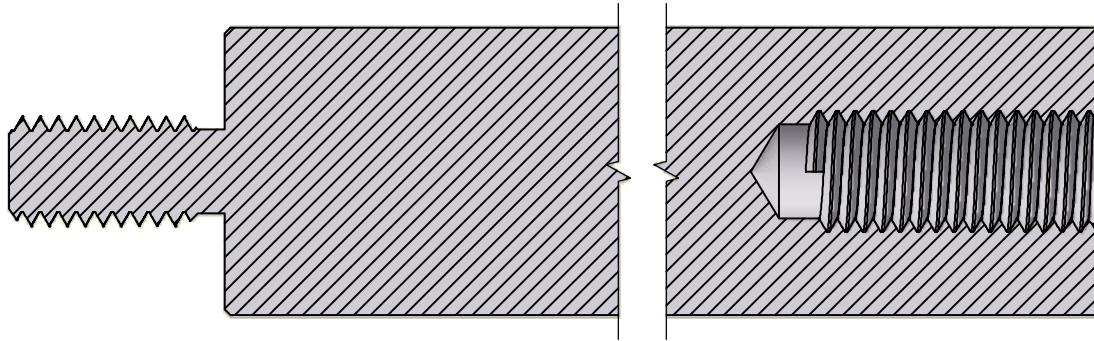
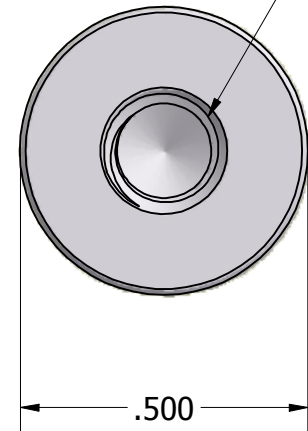


SECTION A-A



5/16-18 UNC-2B  
.625 min.



Tolerances Unless Otherwise Specified:

.xx Decimal:  $\pm .02$   
.xxx Decimal:  $\pm .005$   
Fraction:  $\pm 1/64$   
Angle:  $\pm 2^\circ$

**LYN-TRON, INC.**

Part Number:

**AA6889-4.000**

Description:

**1/2 Round Male-Female Standoff**

Drawn By:

**KENANG 07/07/2011**

Gauge:

Material:

**Aluminum (RoHS)**

Scale:

**NTS**