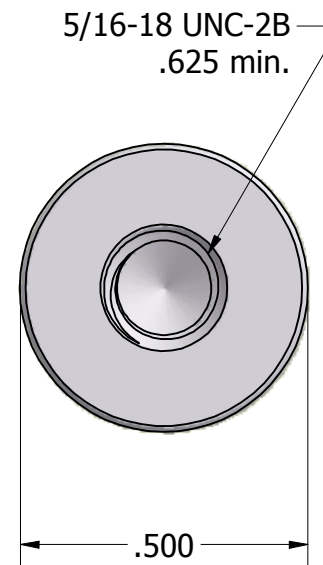
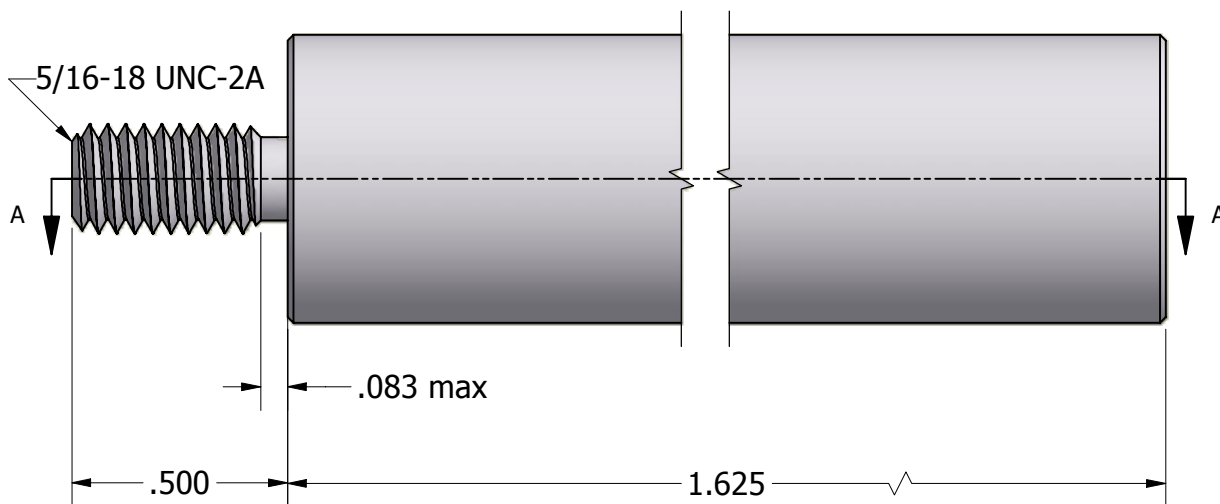
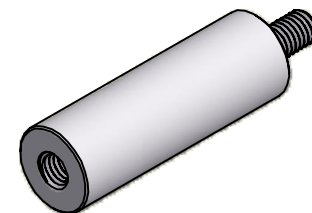
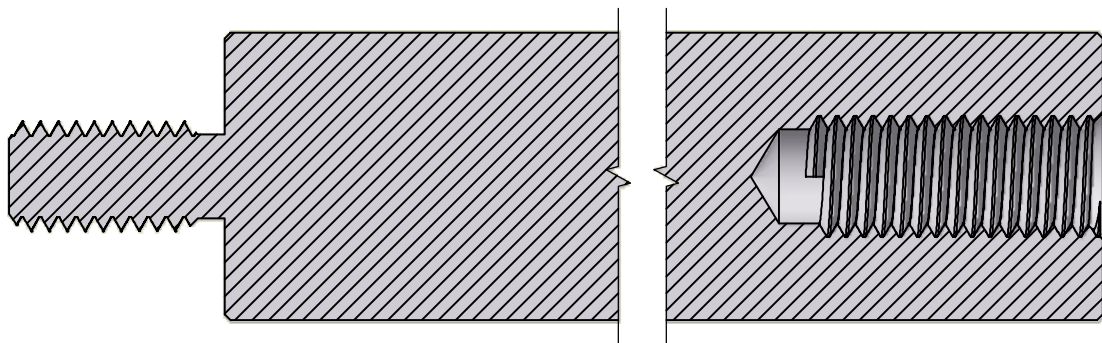


SECTION A-A



Tolerances Unless Otherwise Specified:

.xx Decimal: ± .02
.xxx Decimal: ± .005
Fraction: ± 1/64
Angle: ± 2°

LYN-TRON, INC.

Part Number:
AA6889-1.625

Description:
1/2 Round Male-Female Standoff

Drawn By:
KENANG 07/07/2011

Gauge:

Material:
Aluminum (RoHS)

Scale:
NTS