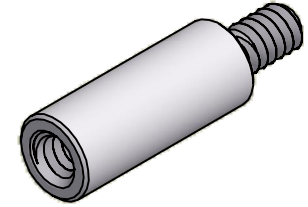
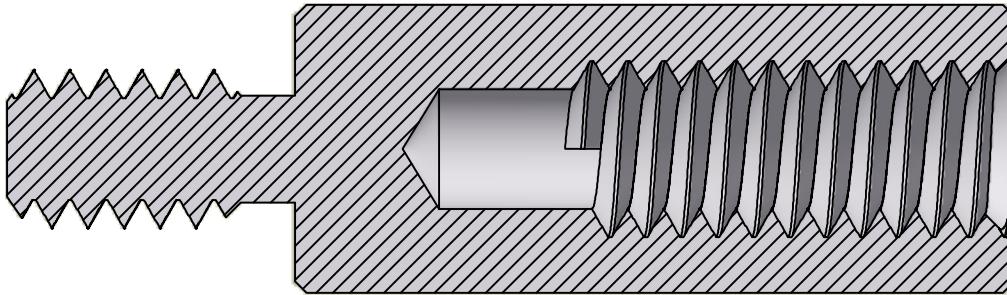
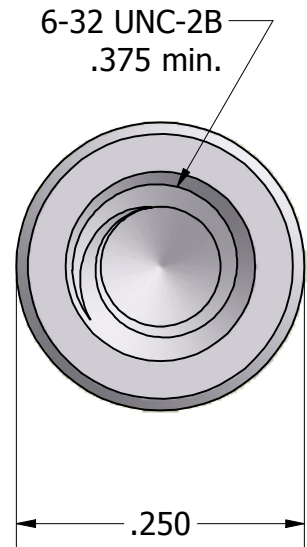
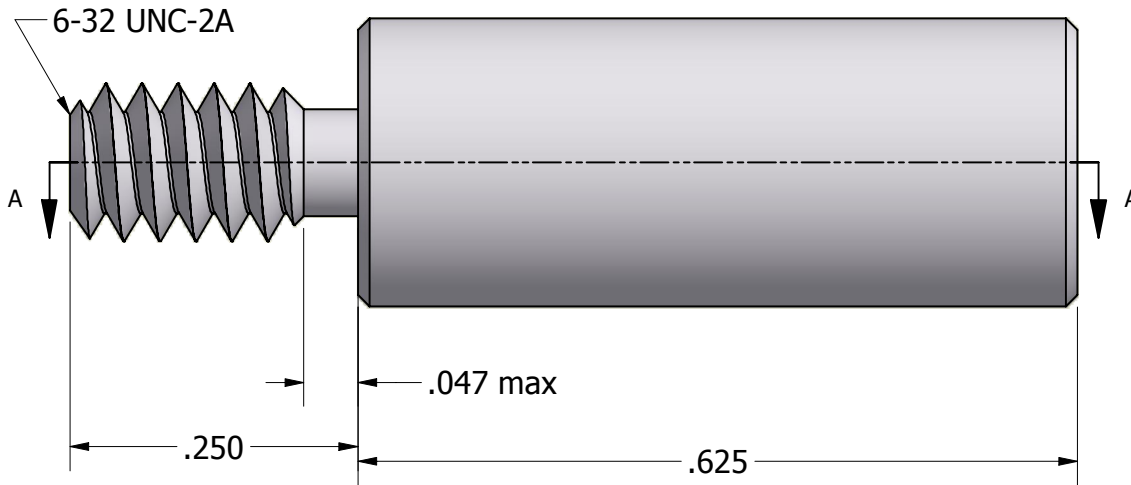


SECTION A-A



ISO SCALE 2 : 1



Tolerances Unless Otherwise Specified:		<b>LYN-TRON, INC.</b>	
.xx Decimal: ± .02			
.xxx Decimal: ± .005		Part Number:	
Fraction: ± 1/64		<b>AA6881-0.625</b>	
Angle: ± 2°		Description:	
		<b>1/4 Round Male-Female Standoff</b>	
Drawn By:	Gauge:	Material:	Scale:
<b>COURTNEYS06/27/2011</b>		<b>Aluminum (RoHS)</b>	<b>6 : 1</b>