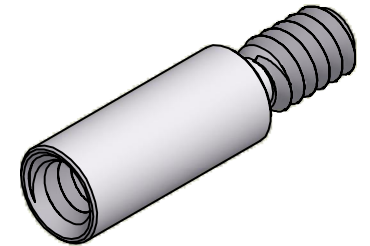
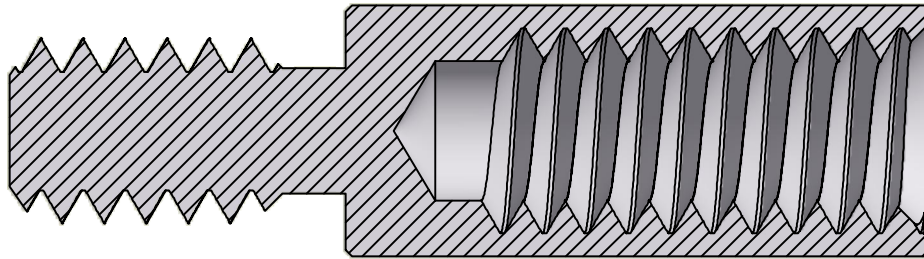
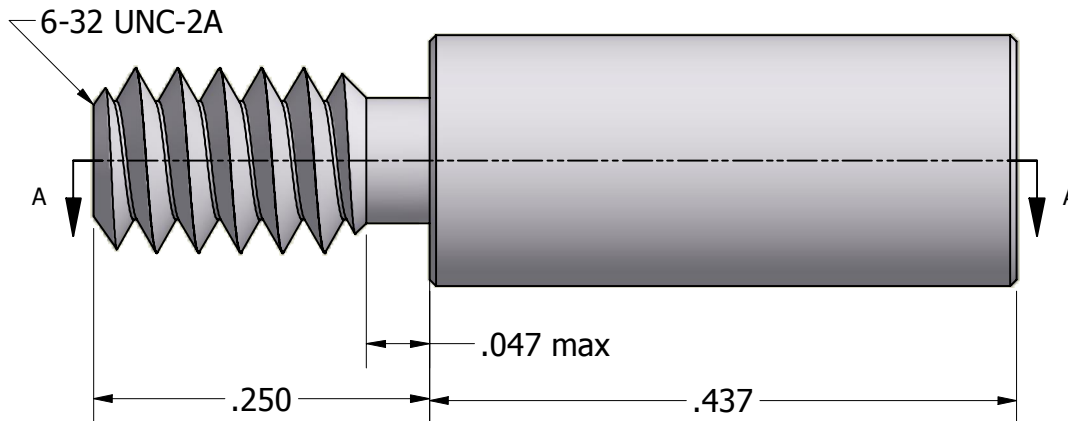


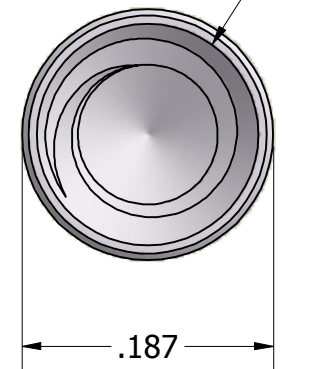
SECTION A-A



ISO SCALE 3 : 1



6-32 UNC-2B  
x 0.323 min.



Tolerances Unless Otherwise Specified:

**.xx Decimal:** ± .02  
**.xxx Decimal:** ± .005  
**Fraction:** ± 1/64  
**Angle:** ± 2°

**LYN-TRON, INC.**

Part Number:

**AA6877-0.437**

Description:

**3/16 Round Male-Female Standoff**

Drawn By:

**COURTNEYS06/24/2011**

Gauge:

Material:

**Aluminum (RoHS)**

Scale:

**7 : 1**