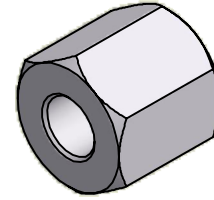
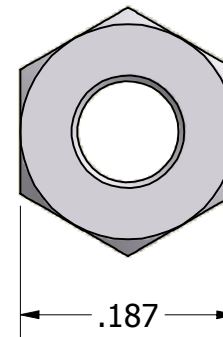
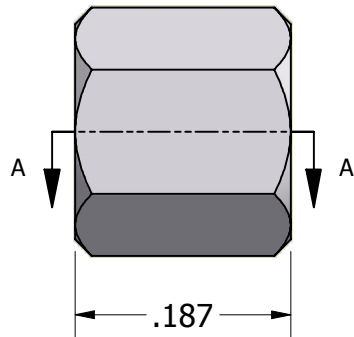


SECTION A-A



ISO SCALE 4 : 1



Tolerances Unless Otherwise Specified:			
<b>.xx Decimal:</b> ± .02 <b>.xxx Decimal:</b> ± .005 <b>Fraction:</b> ± 1/64 <b>Angle:</b> ± 2°			
Part Number:		AA6350-02-0.187	
Description:		3/16 Hex Spacer	
Drawn By:	Gauge:	Material:	Scale:
COURTNEYS06/20/2010		Aluminum (RoHS)	6 : 1