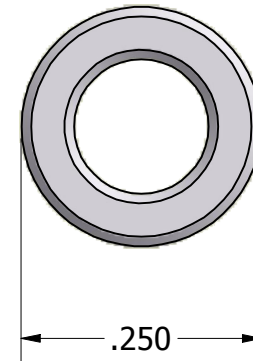
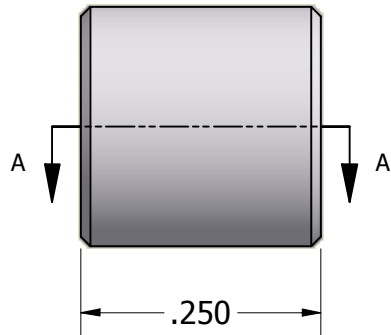


ISO SCALE 3 : 1



Tolerances Unless Otherwise Specified:

**.xx Decimal:** ± .02  
**.xxx Decimal:** ± .005  
**Fraction:** ± 1/64  
**Angle:** ± 2°

**LYN-TRON, INC.**

Part Number:

**AA6341-06-0.250**

Description:

**1/4 Round Spacer**

Drawn By:

**JEFFN**

**06/19/2010**

Gauge:

Material:

**Aluminum (RoHS)**

Scale:

**5 : 1**