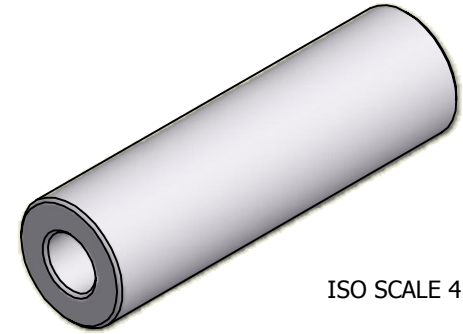
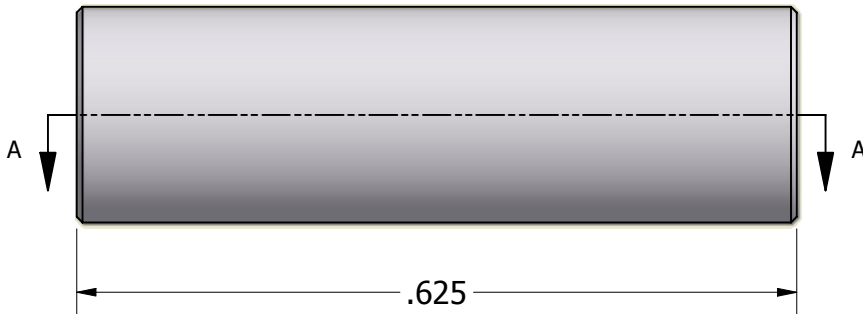


$\varnothing.088^{+.010}_{-.000}$

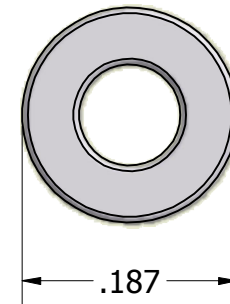
SECTION A-A



ISO SCALE 4 : 1



.625



.187

Tolerances Unless Otherwise Specified:

**.xx Decimal:**  $\pm .02$   
**.xxx Decimal:**  $\pm .005$   
**Fraction:**  $\pm 1/64$   
**Angle:**  $\pm 2^\circ$

**LYN-TRON, INC.**

Part Number:

**AA6340-02-0.625**

Description:

**3/16 Round Spacer**

Drawn By:

**JEFFN**

**06/19/2010**

Gauge:

Material:

**Aluminum (RoHS)**

Scale:

**6 : 1**