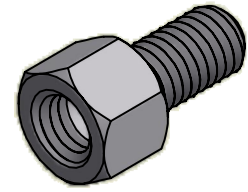
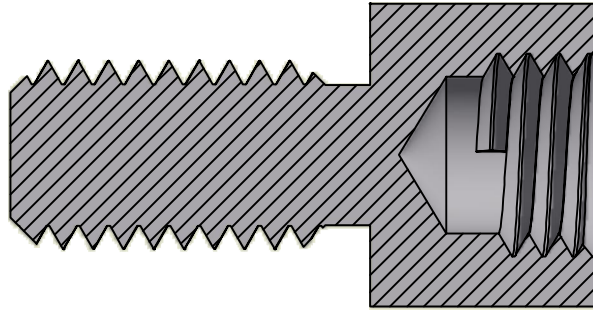
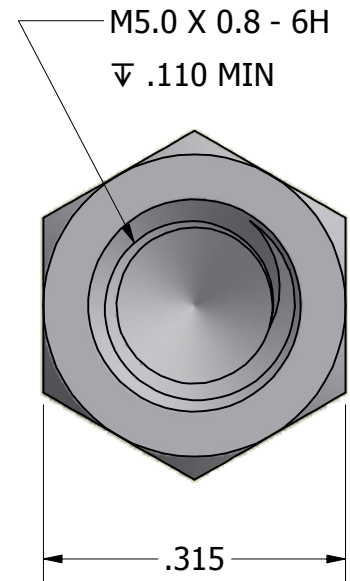
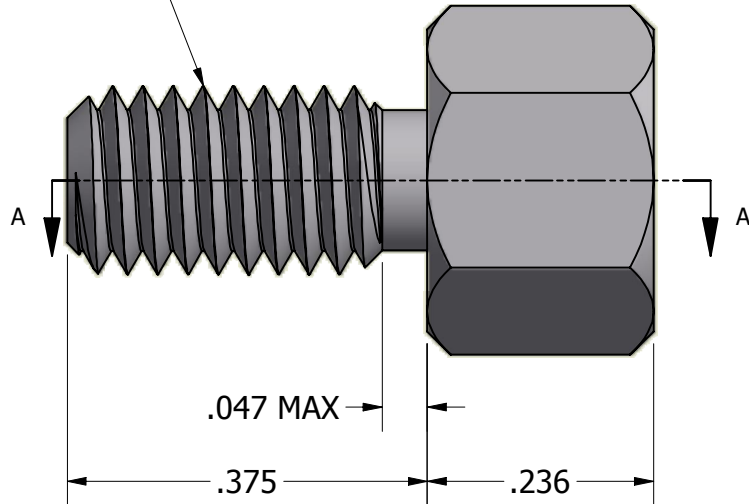


SECTION A-A



ISO SCALE 2 : 1

M5.0 X 0.8 - 6g



Tolerances Unless Otherwise Specified:

.xx Decimal: $\pm .02$
 .xxx Decimal: $\pm .005$
 Fraction: $\pm 1/64$
 Angle: $\pm 2^\circ$

LYN-TRON, INC.

Part Number:

AA5177-06.0

Description:

8mm Hex Male-Female Standoff

Drawn By:

Otis L

4/27/2012

Gauge:

STD

Material:

Aluminum (RoHS)

Scale:

5:1