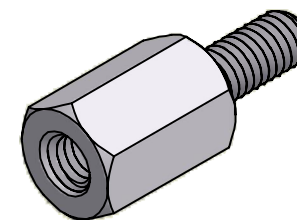
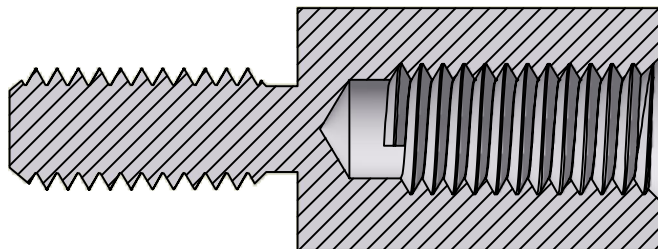
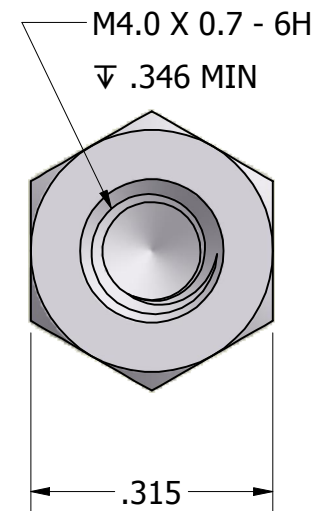
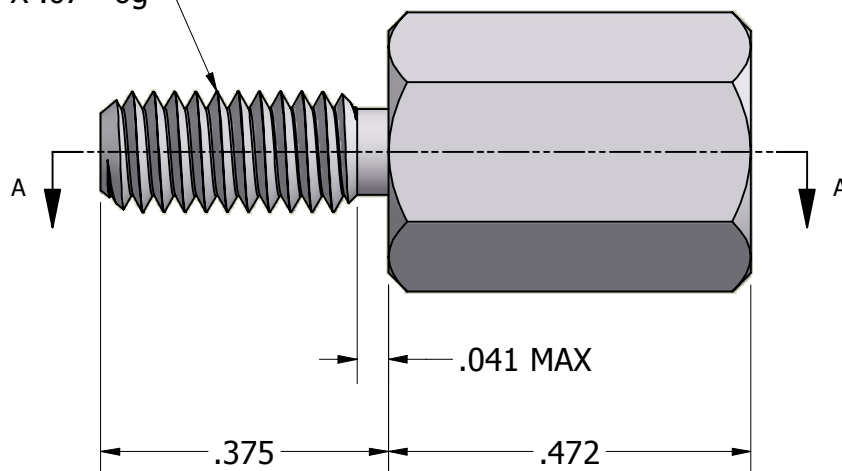


SECTION A-A



SCALE 2 : 1

M4.0 X .07 - 6g



Tolerances Unless Otherwise Specified:

**.xx Decimal:** ± .02  
**.xxx Decimal:** ± .005  
**Fraction:** ± 1/64  
**Angle:** ± 2°

**LYN-TRON, INC.**

Part Number:

**AA5176-12.0**

Description:

**8mm Hex Male-Female Standoff**

Drawn By:

**Rick Z**

**12/2/2011**

Gauge:

**STD**

Material:

**Aluminum (RoHS)**

Scale:

**4:1**