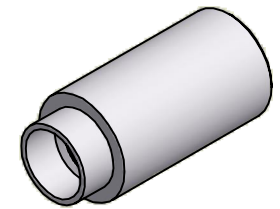
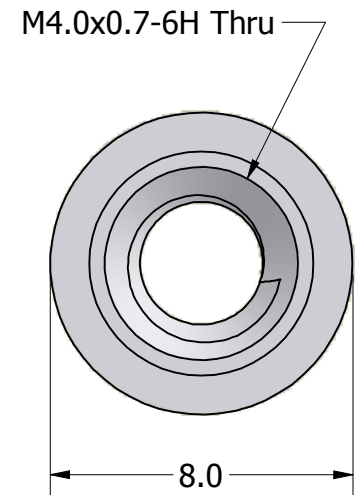
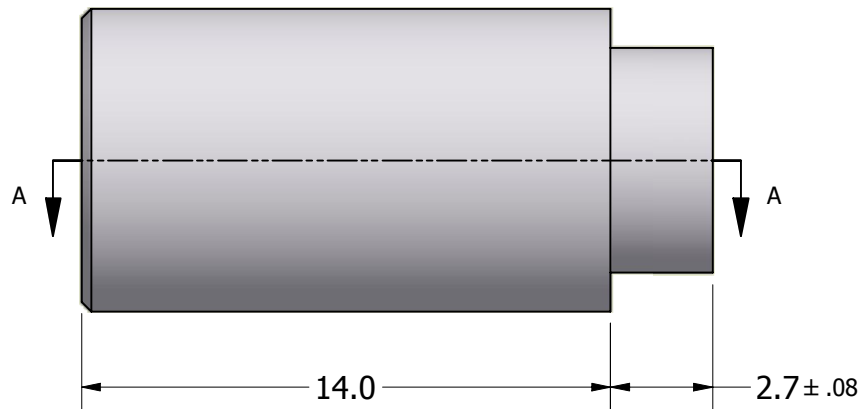


SECTION A-A



ISO SCALE 2 : 1



Tolerances Unless Otherwise Specified:

.x Decimal: ± 0.3
 .xx Decimal: ± .13
 Fraction: ± 1/64
 Angle: ± 2°

LYN-TRON, INC.

Part Number:

AA5118B-14.0

Description:

8mm Rnd M4X.7 Swage Standoff

Drawn By:

RICKZ 03/09/2012

Gauge:

Material:

Aluminum (RoHS)

Scale:

5 : 1