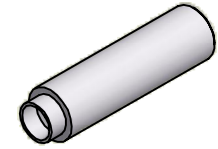
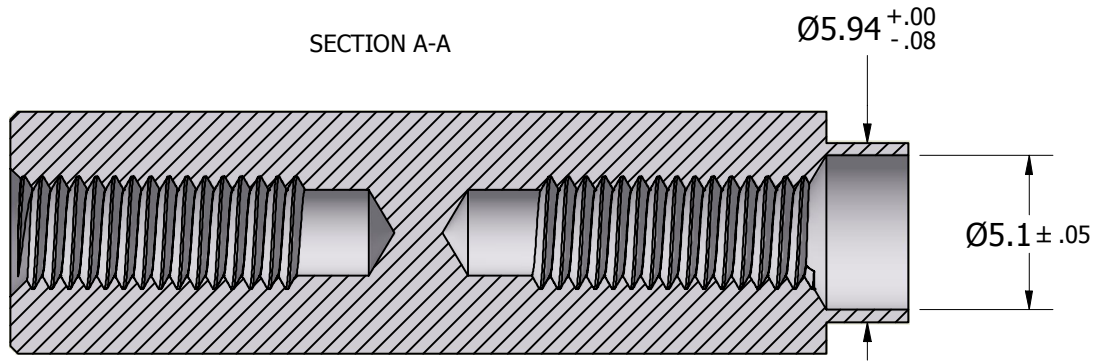
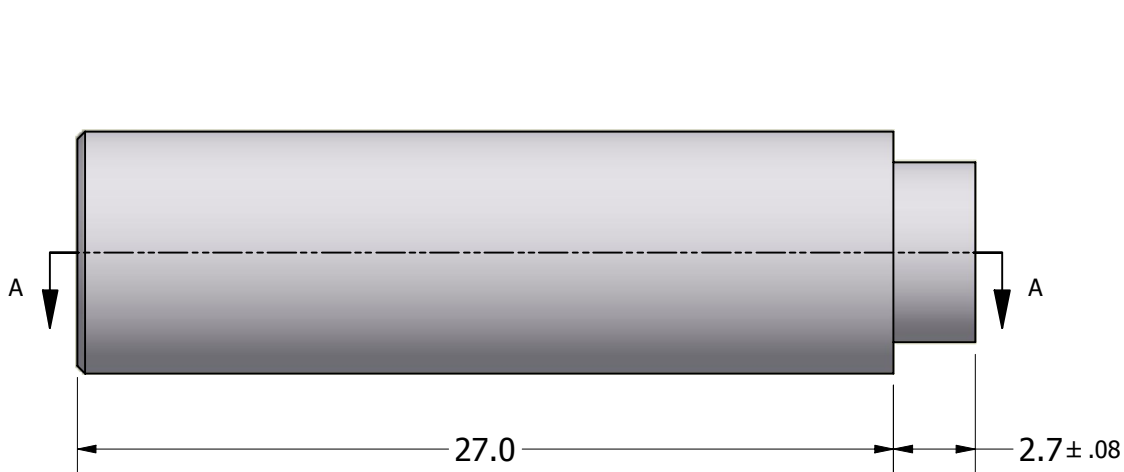


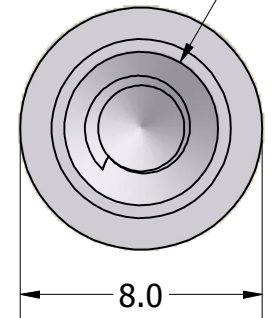
SECTION A-A



ISO SCALE 1 : 1



M3.5x0.6-6H
9.5 min (2 Pls)



Tolerances Unless Otherwise Specified:

.x Decimal: ± 0.3
 .xx Decimal: $\pm .13$
 Fraction: $\pm 1/64$
 Angle: $\pm 2^\circ$

LYN-TRON, INC.

Part Number:

AA5117B-27.0

Description:

8mm Rnd M3.5X.6 F/F Swage Standoff

Drawn By:

RICKZ

03/05/2012

Gauge:

Material:

Aluminum (RoHS)

Scale:

4 : 1