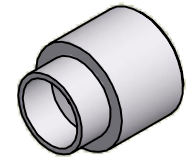
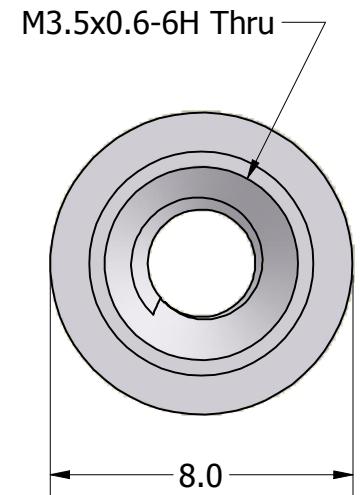
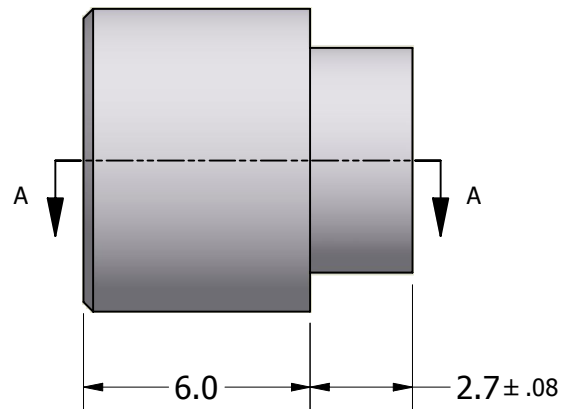


SECTION A-A



ISO SCALE 2 : 1



Tolerances Unless Otherwise Specified:

- .x Decimal: ± 0.3
- .xx Decimal: ± .13
- Fraction: ± 1/64
- Angle: ± 2°

**LYN-TRON, INC.**

Part Number:  
**AA5117B-06.0**

Description:  
**8mm Rnd M3.5X.6 Swage Standoff**

Drawn By:  
**RICKZ 03/05/2012**

Gauge:

Material:  
**Aluminum (RoHS)**

Scale:  
**5 : 1**