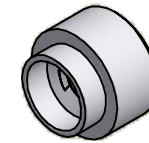
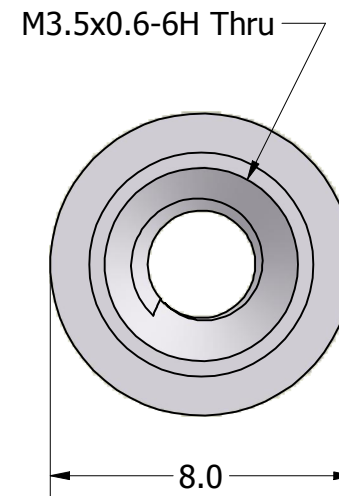
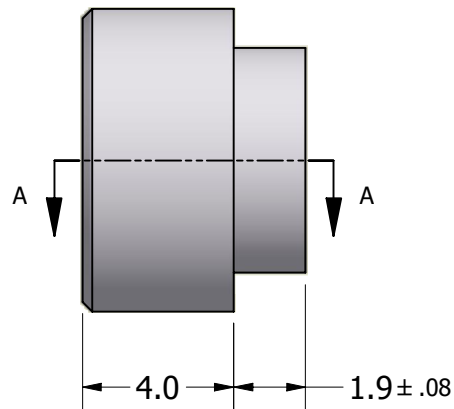


SECTION A-A



ISO SCALE 2 : 1



Tolerances Unless Otherwise Specified:

.x Decimal: ± 0.3  
 .xx Decimal: ± .13  
 Fraction: ± 1/64  
 Angle: ± 2°

**LYN-TRON, INC.**

Part Number:  
**AA5117A-04.0**

Description:  
**8mm Rnd M3.5X.6 Swage Standoff**

Drawn By:  
**RICKZ 03/02/2012**

Gauge:  
 Material:  
**Aluminum (RoHS)**

Scale:  
**5 : 1**