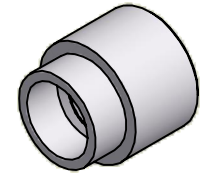
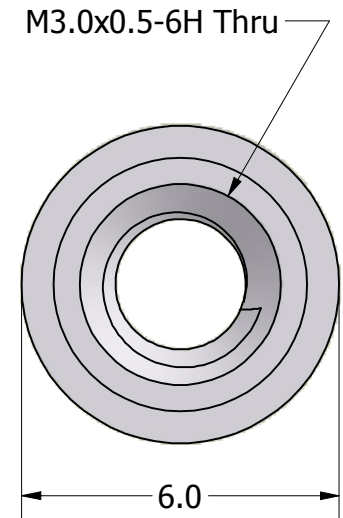
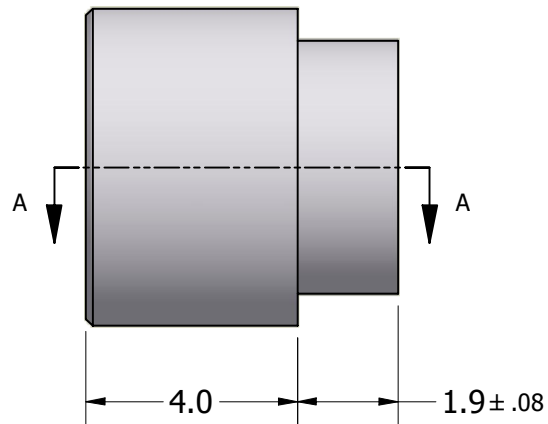


SECTION A-A



ISO SCALE 3 : 1



Tolerances Unless Otherwise Specified:

.x Decimal:  $\pm 0.3$   
 .xx Decimal:  $\pm .13$   
 Fraction:  $\pm 1/64$   
 Angle:  $\pm 2^\circ$

**LYN-TRON, INC.**

Part Number:

**AA5114A-04.0**

Description:

**6mm Rnd M3X.5 Swage Standoff**

Drawn By:

**RICKZ 03/02/2012**

Gauge:

Material:

**Aluminum (RoHS)**

Scale:

**7 : 1**