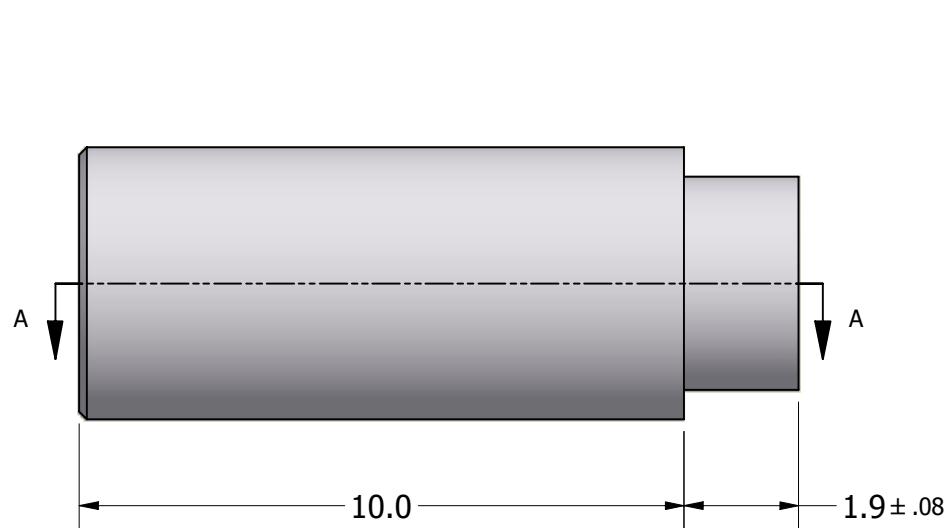
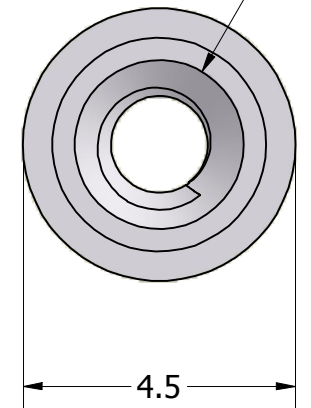


ISO SCALE 4 : 1



M2.0x0.4-6H  
4.8 min (2 Pls)



Tolerances Unless Otherwise Specified:

**.x Decimal:**  $\pm 0.3$   
**.xx Decimal:**  $\pm .13$   
**Fraction:**  $\pm 1/64$   
**Angle:**  $\pm 2^\circ$

**LYN-TRON, INC.**

Part Number:

**AA5105A-10.0**

Description:

**4.5mm Rnd M2X.4 F/F Swage Standoff**

Drawn By:

**RICKZ 03/02/2012**

Gauge:

Material:

**Aluminum (RoHS)**

Scale:

**8 : 1**