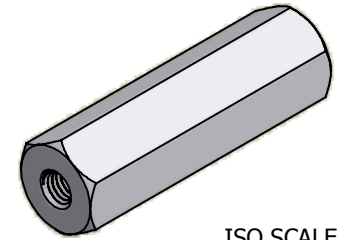
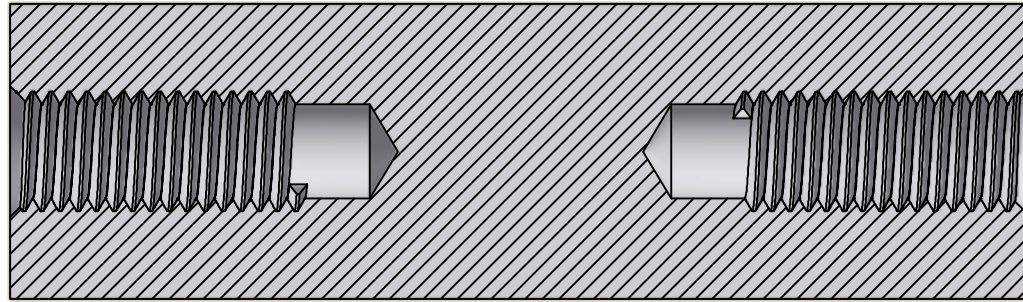
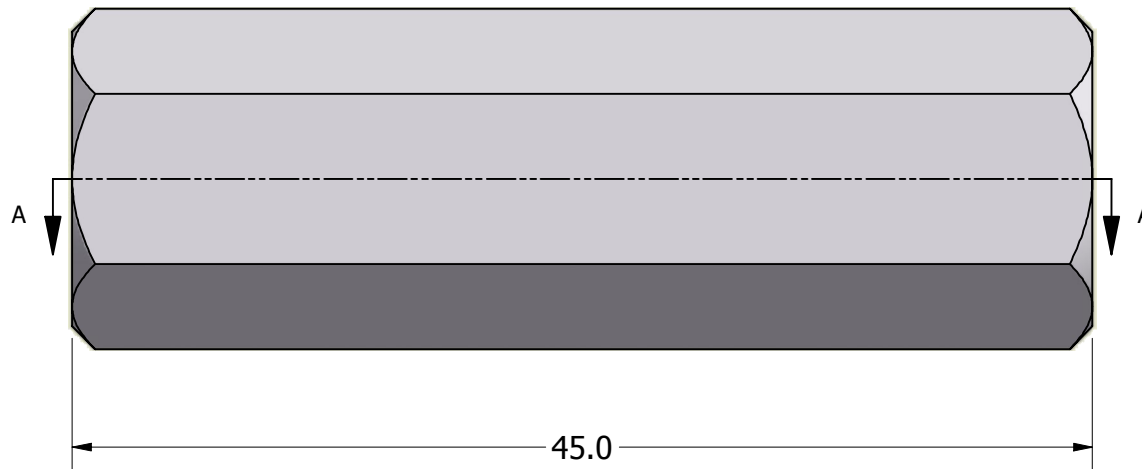
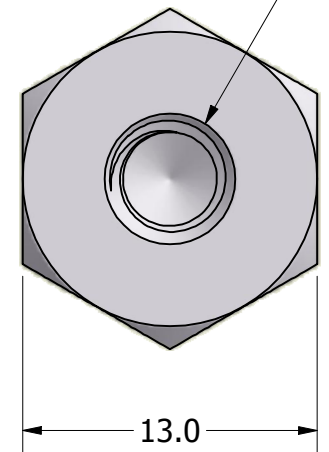


SECTION A-A



ISO SCALE 1 : 1

M5.0x0.8-6H
12.7 min (2 Pls)



Tolerances Unless Otherwise Specified:

.x Decimal: ± 0.3
.xx Decimal: ± .13
Fraction: ± 1/64
Angle: ± 2°

LYN-TRON, INC.

Part Number:

AA5088-5080-45.0

Description:

13mm Hex F/F Standoff

Drawn By:

COURTNEYS08/16/2012

Gauge:

Material:

Aluminum (RoHS)

Scale:

3 : 1